

Lohmann GmbH

Bühlmattstrasse 7

6045 Meggen / Switzerland

Tel. +41 41 377 41 14

info@silentblock.ch | info@silentblock.de

www.silentblock.ch | www.silentblock.de

List of articles - Rubber-Metal-Buffers cylindrical



Lohmann - part no.	diameter	height	x = available					Thread x standard bolt length Type A (male/male), Type B (male/female), Type C (female/female), Type D (male), Type E (female)
			Type A	Type B	Type C	Type D	Type E	
LGZ 004006 / Type / thread / hardness	4	6	x					M2 x 6
LGZ 006006X / Type / thread / hardness	6	6,5	x				x	M3 x 6
LGZ 006007 / Type / thread / hardness	6	7	x	x	x	x	x	
LGZ 006008 / Type / thread / hardness	6	8	x	x	x	x	x	
LGZ 006009 / Type / thread / hardness	6	9	x	x	x	x	x	
LGZ 006010 / Type / thread / hardness	6	10	x	x	x	x	x	
LGZ 006013 / Type / thread / hardness	6	13	x	x	x	x	x	
LGZ 006018 / Type / thread / hardness	6	18	x	x	x	x	x	
LGZ 007003 / Type / thread / hardness	7	3				x		M3 x 6
LGZ 008005 / Type / thread / hardness	8	5	x				x	M3 x 6 or M4 x 12
LGZ 008006 / Type / thread / hardness	8	6	x	x			x	
LGZ 008008 / Type / thread / hardness	8	8	x	x	x	x	x	
LGZ 008010 / Type / thread / hardness	8	10	x	x	x	x	x	
LGZ 008013 / Type / thread / hardness	8	13	x	x	x	x	x	

Lohmann - part no.	diameter	height	x = available					Thread x standard bolt length	
			Type A	Type B	Type C	Type D	Type E	Type A (male/male), Type B (male/female), Type C (female/female), Type D (male), Type E (female)	
LGZ 008015 / Type / thread / hardness	8	15	x	x	x	x	x		
LGZ 009007 / Type / thread / hardness	9	7	x			x		M4 x 12	
LGZ 009012 / Type / thread / hardness	9	12	x	x	x	x	x	M4 x 12	
LGZ 010005 / Type / thread / hardness	10	5	x			x		M3 x 6 or M4 x 12 or M5 x 15	
LGZ 010006 / Type / thread / hardness	10	6	x			x			
LGZ 010008 / Type / thread / hardness	10	8	x	x	x	x	x		
LGZ 010009 / Type / thread / hardness	10	9	x	x	x	x	x		
LGZ 010010 / Type / thread / hardness	10	10	x	x	x	x	x		
LGZ 010012 / Type / thread / hardness	10	12	x	x	x	x	x		
LGZ 010015 / Type / thread / hardness	10	15	x	x	x	x	x		
LGZ 010017 / Type / thread / hardness	10	17	x	x	x	x	x		
LGZ 010018 / Type / thread / hardness	10	18	x	x	x	x	x		
LGZ 010030 / Type / thread / hardness	10	30	x	x	x	x	x		
LGZ 011011 / Type / thread / hardness	11	11	x	x	x	x	x		M4 x 12 or M5 x 15
LGZ 011012 / Type / thread / hardness	11,2	12	x	x	x	x	x		
LGZ 011018 / Type / thread / hardness	11,2	18	x	x	x	x	x		
LGZ 012003X / Type / thread / hardness	12	3,5	x			x		M3 x 6 or M4 x 12 or M5 x 15	
LGZ 012005 / Type / thread / hardness	12	5	x			x			
LGZ 012006X / Type / thread / hardness	12	6,5	x			x	x		
LGZ 012007 / Type / thread / hardness	12	7	x			x	x		
LGZ 012010 / Type / thread / hardness	12	10	x	x	x	x	x		
LGZ 012012 / Type / thread / hardness	12	12	x	x	x	x	x		

Lohmann - part no.	diameter	height	x = available					Thread x standard bolt length	
			Type A	Type B	Type C	Type D	Type E	Type A (male/male), Type B (male/female), Type C (female/female), Type D (male), Type E (female)	
LGZ 012013X / Type / thread / hardness	12	13,5	x	x	x	x	x		
LGZ 012015 / Type / thread / hardness	12	15	x	x	x	x	x		
LGZ 012019 / Type / thread / hardness	12	19	x	x	x	x	x		
LGZ 012510 / Type / thread / hardness	12,5	10	x	x	x	x	x		
LGZ 012515 / Type / thread / hardness	12,5	15	x	x	x	x	x		
LGZ 013008 / Type / thread / hardness	13	8	x	x		x	x		M4 x 12 or M5 x 15 or M6 x 18
LGZ 013010 / Type / thread / hardness	13	10	x	x		x	x		
LGZ 013012 / Type / thread / hardness	13	12	x	x	x	x	x		
LGZ 013013 / Type / thread / hardness	13	13	x	x	x	x	x		
LGZ 013020 / Type / thread / hardness	13	20	x	x	x	x	x		
LGZ 013026 / Type / thread / hardness	13	26	x	x	x	x	x		
LGZ 015003X / Type / thread / hardness	15	3,5	x			x		M3 x 6 or M4 x 12 or M5 x 15 or M6 x 18 or M8 x 23	
LGZ 015004 / Type / thread / hardness	15	4	x			x			
LGZ 015005 / Type / thread / hardness	15	5	x			x			
LGZ 015006 / Type / thread / hardness	15	6	x			x	x		
LGZ 015007 / Type / thread / hardness	15	7	x			x	x		
LGZ 015007X / Type / thread / hardness	15	7,5	x	x		x	x		
LGZ 015008 / Type / thread / hardness	15	8	x	x		x	x		
LGZ 015009 / Type / thread / hardness	15	9	x	x		x	x		
LGZ 015010 / Type / thread / hardness	15	10	x	x	x	x	x		
LGZ 015012 / Type / thread / hardness	15	12	x	x	x	x	x		
LGZ 015013 / Type / thread / hardness	15	13	x	x	x	x	x		

Lohmann - part no.	diameter	height	x = available					Thread x standard bolt length	
			Type A	Type B	Type C	Type D	Type E	Type A (male/male), Type B (male/female), Type C (female/female), Type D (male), Type E (female)	
LGZ 015015 / Type / thread / hardness	15	15	x	x	x	x	x		
LGZ 015018 / Type / thread / hardness	15	18	x	x	x	x	x		
LGZ 015020 / Type / thread / hardness	15	20	x	x	x	x	x		
LGZ 015025 / Type / thread / hardness	15	25	x	x	x	x	x		
LGZ 015028 / Type / thread / hardness	15	28	x	x	x	x	x		
LGZ 015030 / Type / thread / hardness	15	30	x	x	x	x	x		
LGZ 016007 / Type / thread / hardness	16	7	x			x	x	M4 x 12 or M5 x 15 or M6 x 18	
LGZ 016015 / Type / thread / hardness	16	15	x	x	x	x	x		
LGZ 016018 / Type / thread / hardness	16	18	x	x	x	x	x		
LGZ 016020 / Type / thread / hardness	16	20	x	x	x	x	x		
LGZ 017009 / Type / thread / hardness	17	9	x	x		x	x	M6 x 18	
LGZ 018005 / Type / thread / hardness	18	5,7	x			x		M5 x 15 or M6 x 18	
LGZ 018006 / Type / thread / hardness	18	6	x			x			
LGZ 018007X / Type / thread / hardness	18	7,5	x	x		x			
LGZ 018008 / Type / thread / hardness	18	8,1	x	x		x			
LGZ 018008X / Type / thread / hardness	18	8,5	x	x		x			
LGZ 018010 / Type / thread / hardness	18	10	x	x		x	x		
LGZ 018013 / Type / thread / hardness	18	13	x	x	x	x	x		
LGZ 018014 / Type / thread / hardness	18	14	x	x	x	x	x		
LGZ 018015 / Type / thread / hardness	18	15	x	x	x	x	x		
LGZ 019006 / Type / thread / hardness	19	6				x		M6 x 18	
LGZ 019020 / Type / thread / hardness	19	20	x	x	x	x	x		

Lohmann - part no.	diameter	height	x = available					Thread x standard bolt length	
			Type A	Type B	Type C	Type D	Type E	Type A (male/male), Type B (male/female), Type C (female/female), Type D (male), Type E (female)	
LGZ 019520 / Type / thread / hardness	19,5	20	x	x	x	x	x		
LGZ 020005 / Type / thread / hardness	20	5				x		M4 x 12 or M5 x 15 or M6 x 18 or M8 x 23 or M10 x 28	
LGZ 020006 / Type / thread / hardness	20	6				x			
LGZ 020007 / Type / thread / hardness	20	7				x			
LGZ 020008 / Type / thread / hardness	20	8	x			x			
LGZ 020008X / Type / thread / hardness	20	8,5	x			x			
LGZ 020009 / Type / thread / hardness	20	9	x	x		x			
LGZ 020010 / Type / thread / hardness	20	10	x	x		x	x		
LGZ 020011 / Type / thread / hardness	20	11	x	x	x	x	x		
LGZ 020012 / Type / thread / hardness	20	12	x	x	x	x	x		
LGZ 020013 / Type / thread / hardness	20	13	x	x	x	x	x		
LGZ 020013X / Type / thread / hardness	20	13,5	x	x	x	x	x		
LGZ 020015 / Type / thread / hardness	20	15	x	x	x	x	x		
LGZ 020017 / Type / thread / hardness	20	17	x	x	x	x	x		
LGZ 020018 / Type / thread / hardness	20	18	x	x	x	x	x		
LGZ 020018X / Type / thread / hardness	20	18,5	x	x	x	x	x		
LGZ 020020 / Type / thread / hardness	20	20	x	x	x	x	x		
LGZ 020022 / Type / thread / hardness	20	22	x	x	x	x	x		
LGZ 020023 / Type / thread / hardness	20	23	x	x	x	x	x		
LGZ 020025 / Type / thread / hardness	20	25	x	x	x	x	x		
LGZ 020030 / Type / thread / hardness	20	30	x	x	x	x	x		
LGZ 020040 / Type / thread / hardness	20	40	x	x	x	x	x		

Lohmann - part no.	diameter	height	x = available					Thread x standard bolt length	
			Type A	Type B	Type C	Type D	Type E	Type A (male/male), Type B (male/female), Type C (female/female), Type D (male), Type E (female)	
LGZ 020060 / Type / thread / hardness	20	60	x	x	x	x	x		
LGZ 023008 / Type / thread / hardness	23	8				x			
LGZ 025008 / Type / thread / hardness	25	8	x			x		M4 x 12 or M5 x 15 or M6 x 18 or M8 x 23 or M10 x 28	
LGZ 025010 / Type / thread / hardness	25	10	x	x		x	x		
LGZ 025012 / Type / thread / hardness	25	12	x	x		x	x		
LGZ 025013 / Type / thread / hardness	25	13	x	x		x	x		
LGZ 025014 / Type / thread / hardness	25	14	x	x		x	x		
LGZ 025015 / Type / thread / hardness	25	15	x	x	x	x	x		
LGZ 025017 / Type / thread / hardness	25	17	x	x	x	x	x		
LGZ 025018 / Type / thread / hardness	25	18	x	x	x	x	x		
LGZ 025019 / Type / thread / hardness	25	19	x	x	x	x	x		
LGZ 025020 / Type / thread / hardness	25	20	x	x	x	x	x		
LGZ 025022 / Type / thread / hardness	25	22	x	x	x	x	x		
LGZ 025025 / Type / thread / hardness	25	25	x	x	x	x	x		
LGZ 025027 / Type / thread / hardness	25	27	x	x	x	x	x		
LGZ 025028 / Type / thread / hardness	25	28	x	x	x	x	x		
LGZ 025030 / Type / thread / hardness	25	30	x	x	x	x	x		M4 x 12 or M5 x 15 or M6 x 18 or M8 x 23 or M10 x 28
LGZ 025035 / Type / thread / hardness	25	35	x	x	x	x	x		
LGZ 025040 / Type / thread / hardness	25	40	x	x	x	x	x		
LGZ 025050 / Type / thread / hardness	25	50	x	x	x	x	x		
LGZ 026022 / Type / thread / hardness	26	22	x	x	x	x	x	M6 x 18	
LGZ 030006 / Type / thread / hardness	30	6				x			

Lohmann - part no.	diameter	height	x = available					Thread x standard bolt length	
			Type A	Type B	Type C	Type D	Type E	Type A (male/male), Type B (male/female), Type C (female/female), Type D (male), Type E (female)	
LGZ 030007 / Type / thread / hardness	30	7				X		M5 x 15 or M6 x 18 or M8 x 23 or M10 x 28 or M12 x 37	
LGZ 030008 / Type / thread / hardness	30	8				X			
LGZ 030010 / Type / thread / hardness	30	10	X	X		X	X		
LGZ 030012 / Type / thread / hardness	30	12	X	X		X	X		
LGZ 030013 / Type / thread / hardness	30	13	X	X		X	X		
LGZ 030015 / Type / thread / hardness	30	15	X	X	X	X	X		
LGZ 030016 / Type / thread / hardness	30	16	X	X	X	X	X		
LGZ 030017 / Type / thread / hardness	30	17	X	X	X	X	X		
LGZ 030018 / Type / thread / hardness	30	18	X	X	X	X	X		
LGZ 030020 / Type / thread / hardness	30	20	X	X	X	X	X		
LGZ 030022 / Type / thread / hardness	30	22	X	X	X	X	X		
LGZ 030025 / Type / thread / hardness	30	25	X	X	X	X	X		
LGZ 030027 / Type / thread / hardness	30	27	X	X	X	X	X		
LGZ 030028 / Type / thread / hardness	30	28	X	X	X	X	X		
LGZ 030030 / Type / thread / hardness	30	30	X	X	X	X	X		
LGZ 030035 / Type / thread / hardness	30	35	X	X	X	X	X		
LGZ 030036 / Type / thread / hardness	30	36	X	X	X	X	X		
LGZ 030040 / Type / thread / hardness	30	40	X	X	X	X	X		
LGZ 030042 / Type / thread / hardness	30	42	X	X	X	X	X		
LGZ 030045 / Type / thread / hardness	30	45	X	X	X	X	X		
LGZ 030050 / Type / thread / hardness	30	50	X	X	X	X	X		
LGZ 030060 / Type / thread / hardness	30	60	X	X	X	X	X		

Lohmann - part no.	diameter	height	x = available					Thread x standard bolt length	
			Type A	Type B	Type C	Type D	Type E	Type A (male/male), Type B (male/female), Type C (female/female), Type D (male), Type E (female)	
LGZ 030080 / Type / thread / hardness	30	80	x	x	x	x	x		
LGZ 033012 / Type / thread / hardness	33	12				x		M6 x 18	
LGZ 035012 / Type / thread / hardness	35	12				x		M6 x 18 or M8 x 23 or M10 x 28	
LGZ 035020 / Type / thread / hardness	35	20	x	x	x	x	x		
LGZ 035025 / Type / thread / hardness	35	25	x	x	x	x	x		
LGZ 035030 / Type / thread / hardness	35	30	x	x	x	x	x		
LGZ 035040 / Type / thread / hardness	35	40	x	x	x	x	x		
LGZ 035045 / Type / thread / hardness	35	45	x	x	x	x	x		
LGZ 040006 / Type / thread / hardness	40	6				x		M5 x 15 or M6 x 18 or M8 x 23 or M10 x 28 or M12 x 37	
LGZ 040010 / Type / thread / hardness	40	10	x			x	x		
LGZ 040015 / Type / thread / hardness	40	15	x	x	x	x	x		
LGZ 040017 / Type / thread / hardness	40	17	x	x	x	x	x		
LGZ 040020 / Type / thread / hardness	40	20	x	x	x	x	x		
LGZ 040025 / Type / thread / hardness	40	25	x	x	x	x	x		
LGZ 040027 / Type / thread / hardness	40	27	x	x	x	x	x		
LGZ 040028 / Type / thread / hardness	40	28	x	x	x	x	x		
LGZ 040030 / Type / thread / hardness	40	30	x	x	x	x	x		
LGZ 040034 / Type / thread / hardness	40	34	x	x	x	x	x		
LGZ 040035 / Type / thread / hardness	40	35	x	x	x	x	x		
LGZ 00038 / Type / thread / hardness	40	38	x	x	x	x	x		
LGZ 040040 / Type / thread / hardness	40	40	x	x	x	x	x		
LGZ 040045 / Type / thread / hardness	40	45	x	x	x	x	x		

Lohmann - part no.	diameter	height	x = available					Thread x standard bolt length	
			Type A	Type B	Type C	Type D	Type E	Type A (male/male), Type B (male/female), Type C (female/female), Type D (male), Type E (female)	
LGZ 040050 / Type / thread / hardness	40	50	x	x	x	x	x	M5 x 15 or M6 x 18 or M8 x 23 or M10 x 28 or M12 x 37	
LGZ 040055 / Type / thread / hardness	40	55	x	x	x	x	x		
LGZ 040060 / Type / thread / hardness	40	60	x	x	x	x	x		
LGZ 043045 / Type / thread / hardness	43	45	x	x	x	x	x	M8 x 23	
LGZ 045050 / Type / thread / hardness	45	50	x	x	x	x	x	M8 x 23	
LGZ 050007 / Type / thread / hardness	50	7				x		M5 x 15 or M6 x 18 or M8 x 23 or M10 x 28 or M12 x 37 or M16 x 43	
LGZ 050009 / Type / thread / hardness	50	9				x			
LGZ 050010 / Type / thread / hardness	50	10				x			
LGZ 050012 / Type / thread / hardness	50	12				x	x		
LGZ 050015 / Type / thread / hardness	50	15	x			x	x		
LGZ 050017 / Type / thread / hardness	50	17	x			x	x		
LGZ 050018 / Type / thread / hardness	50	18	x			x	x		
LGZ 050020 / Type / thread / hardness	50	20	x	x	x	x	x		
LGZ 050021 / Type / thread / hardness	50	21	x	x	x	x	x		
LGZ 050022 / Type / thread / hardness	50	22	x	x	x	x	x		
LGZ 050025 / Type / thread / hardness	50	25	x	x	x	x	x		
LGZ 050027 / Type / thread / hardness	50	27	x	x	x	x	x		
LGZ 050028 / Type / thread / hardness	50	28	x	x	x	x	x		
LGZ 050030 / Type / thread / hardness	50	30	x	x	x	x	x		
LGZ 050035 / Type / thread / hardness	50	35	x	x	x	x	x		
LGZ 050036 / Type / thread / hardness	50	36	x	x	x	x	x		
LGZ 050037 / Type / thread / hardness	50	37	x	x	x	x	x		

Lohmann - part no.	diameter	height	x = available					Thread x standard bolt length	
			Type A	Type B	Type C	Type D	Type E	Type A (male/male), Type B (male/female), Type C (female/female), Type D (male), Type E (female)	
LGZ 050037X / Type / thread / hardness	50	37,5	x	x	x	x	x	M5 x 15 or M6 x 18 or M8 x 23 or M10 x 28 or M12 x 37 or M16 x 43	
LGZ 050040 / Type / thread / hardness	50	40	x	x	x	x	x		
LGZ 050042 / Type / thread / hardness	50	42	x	x	x	x	x		
LGZ 050045 / Type / thread / hardness	50	45	x	x	x	x	x		
LGZ 050050 / Type / thread / hardness	50	50	x	x	x	x	x		
LGZ 050055 / Type / thread / hardness	50	55	x	x	x	x	x		
LGZ 050060 / Type / thread / hardness	50	60	x	x	x	x	x		
LGZ 050065 / Type / thread / hardness	50	65	x	x	x	x	x		
LGZ 050070 / Type / thread / hardness	50	70	x	x	x	x	x		
LGZ 050080 / Type / thread / hardness	50	80	x	x	x	x	x		
LGZ 055040 / Type / thread / hardness	55	40	x	x	x	x	x	M10 x 28	
LGZ 060015 / Type / thread / hardness	60	15	x			x	x	M6 x 18 or M8 x 23 or M10 x 28 or M12 x 37 or M16 x 43	
LGZ 060016 / Type / thread / hardness	60	16	x			x	x		
LGZ 060020 / Type / thread / hardness	60	20	x	x		x	x		
LGZ 060025 / Type / thread / hardness	60	25	x	x		x	x		
LGZ 060030 / Type / thread / hardness	60	30	x	x	x	x	x		
LGZ 060035 / Type / thread / hardness	60	35	x	x	x	x	x		
LGZ 060040 / Type / thread / hardness	60	40	x	x	x	x	x		
LGZ 060043 / Type / thread / hardness	60	43	x	x	x	x	x		
LGZ 060045 / Type / thread / hardness	60	45	x	x	x	x	x		
LGZ 060050 / Type / thread / hardness	60	50	x	x	x	x	x		
LGZ 060060 / Type / thread / hardness	60	60	x	x	x	x	x		

Lohmann - part no.	diameter	height	x = available					Thread x standard bolt length	
			Type A	Type B	Type C	Type D	Type E	Type A (male/male), Type B (male/female), Type C (female/female), Type D (male), Type E (female)	
LGZ 065035 / Type / thread / hardness	65	35	x	x	x	x	x	M10 x 28 or M12 x 37	
LGZ 070020 / Type / thread / hardness	70	20	x			x	x	M8 x 23 or M10 x 28 or M12 x 37 or M14 x 40 or M16 x 43	
LGZ 070025 / Type / thread / hardness	70	25	x	x		x	x		
LGZ 070030 / Type / thread / hardness	70	30	x	x	x	x	x		
LGZ 070035 / Type / thread / hardness	70	35	x	x	x	x	x		
LGZ 070040 / Type / thread / hardness	70	40	x	x	x	x	x		
LGZ 070042 / Type / thread / hardness	70	42	x	x	x	x	x		
LGZ 070045 / Type / thread / hardness	70	45	x	x	x	x	x		
LGZ 070050 / Type / thread / hardness	70	50	x	x	x	x	x		
LGZ 070055 / Type / thread / hardness	70	55	x	x	x	x	x		
LGZ 070060 / Type / thread / hardness	70	60	x	x	x	x	x		
LGZ 070069 / Type / thread / hardness	70	69	x	x	x	x	x		
LGZ 070070 / Type / thread / hardness	70	70	x	x	x	x	x		
LGZ 075009 / Type / thread / hardness	75	9	x			x	x		M8 x 23 or M10 x 28 or M12 x 37 or M14 x 40 or M16 x 43
LGZ 075015 / Type / thread / hardness	75	15	x			x	x		
LGZ 075020 / Type / thread / hardness	75	20	x	x		x	x		
LGZ 075025 / Type / thread / hardness	75	25	x	x		x	x		
LGZ 075028 / Type / thread / hardness	75	28	x	x	x	x	x		
LGZ 075030 / Type / thread / hardness	75	30	x	x	x	x	x		
LGZ 075035 / Type / thread / hardness	75	35	x	x	x	x	x		
LGZ 075040 / Type / thread / hardness	75	40	x	x	x	x	x		
LGZ 075045 / Type / thread / hardness	75	45	x	x	x	x	x		

Lohmann - part no.	diameter	height	x = available					Thread x standard bolt length	
			Type A	Type B	Type C	Type D	Type E	Type A (male/male), Type B (male/female), Type C (female/female), Type D (male), Type E (female)	
LGZ 075050 / Type / thread / hardness	75	50	x	x	x	x	x	M10 x 28 or M12 x 37 or M14 x 40 or M16 x 43	
LGZ 075052 / Type / thread / hardness	75	52	x	x	x	x	x		
LGZ 075055 / Type / thread / hardness	75	55	x	x	x	x	x		
LGZ 075060 / Type / thread / hardness	75	60	x	x	x	x	x		
LGZ 075065 / Type / thread / hardness	75	65	x	x	x	x	x		
LGZ 075070 / Type / thread / hardness	75	70	x	x	x	x	x		
LGZ 075100 / Type / thread / hardness	75	100	x	x	x	x	x		
LGZ 080017 / Type / thread / hardness	80	17	x			x	x		
LGZ 080018 / Type / thread / hardness	80	18	x	x		x	x		
LGZ 080030 / Type / thread / hardness	80	30	x	x	x	x	x		
LGZ 080040 / Type / thread / hardness	80	40	x	x	x	x	x		
LGZ 080050 / Type / thread / hardness	80	50	x	x	x	x	x		
LGZ 080055 / Type / thread / hardness	80	55	x	x	x	x	x		
LGZ 080060 / Type / thread / hardness	80	60	x	x	x	x	x		
LGZ 080065 / Type / thread / hardness	80	65	x	x	x	x	x		
LGZ 080070 / Type / thread / hardness	80	70	x	x	x	x	x		
LGZ 080075 / Type / thread / hardness	80	75	x	x	x	x	x		
LGZ 080080 / Type / thread / hardness	80	80	x	x	x	x	x		
LGZ 090060 / Type / thread / hardness	90	60	x	x	x	x	x		M12 x 37
LGZ 100025 / Type / thread / hardness	100	25	x			x	x		
LGZ 100030 / Type / thread / hardness	100	30	x	x		x	x		
LGZ 100035 / Type / thread / hardness	100	35	x	x	x	x	x		

Lohmann - part no.	diameter	height	x = available					Thread x standard bolt length	
			Type A	Type B	Type C	Type D	Type E	Type A (male/male), Type B (male/female), Type C (female/female), Type D (male), Type E (female)	
LGZ 100040 / Type / thread / hardness	100	40	x	x	x	x	x	M10 x 28 or M12 x 37 or M14 x 40 or M16 x 43 or M20 x 45	
LGZ 100045 / Type / thread / hardness	100	45	x	x	x	x	x		
LGZ 100050 / Type / thread / hardness	100	50	x	x	x	x	x		
LGZ 100055 / Type / thread / hardness	100	55	x	x	x	x	x		
LGZ 100060 / Type / thread / hardness	100	60	x	x	x	x	x		
LGZ 100065 / Type / thread / hardness	100	65	x	x	x	x	x		
LGZ 100070 / Type / thread / hardness	100	70	x	x	x	x	x		
LGZ 100075 / Type / thread / hardness	100	75	x	x	x	x	x		
LGZ 100080 / Type / thread / hardness	100	80	x	x	x	x	x		
LGZ 100100 / Type / thread / hardness	100	100	x	x	x	x	x		M10 x 28 or M12 x 37 or M14 x 40 or M16 x 43 or M20 x 45
LGZ 100160 / Type / thread / hardness	100	160	x	x	x	x	x		
LGZ 120080 / Type / thread / hardness	120	80	x	x	x	x	x	M16 x 43	
LGZ 125040 / Type / thread / hardness	125	40	x	x	x	x	x	M12 x 37 or M16 x 43	
LGZ 125055 / Type / thread / hardness	125	55	x	x	x	x	x		
LGZ 125060 / Type / thread / hardness	125	60	x	x	x	x	x		
LGZ 125070 / Type / thread / hardness	125	70	x	x	x	x	x		
LGZ 125075 / Type / thread / hardness	125	75	x	x	x	x	x		
LGZ 125090 / Type / thread / hardness	125	90	x	x	x	x	x		
LGZ 125095 / Type / thread / hardness	125	95	x	x	x	x	x		
LGZ 125100 / Type / thread / hardness	125	100	x	x	x	x	x		
LGZ 125125 / Type / thread / hardness	125	125	x	x	x	x	x		
LGZ 130040 / Type / thread / hardness	130	40	x	x	x	x	x	M16 x 43	

Lohmann - part no.	diameter	height	x = available					Thread x standard bolt length	
			Type A	Type B	Type C	Type D	Type E	Type A (male/male), Type B (male/female), Type C (female/female), Type D (male), Type E (female)	
LGZ 150045 / Type / thread / hardness	150	45	x	x	x	x	x	M16 x 43 or M20 x 45	
LGZ 150050 / Type / thread / hardness	150	50	x	x	x	x	x		
LGZ 150055 / Type / thread / hardness	150	55	x	x	x	x	x		
LGZ 150060 / Type / thread / hardness	150	60	x	x	x	x	x		
LGZ 150075 / Type / thread / hardness	150	75	x	x	x	x	x		
LGZ 150100 / Type / thread / hardness	150	100	x	x	x	x	x		
LGZ 150120 / Type / thread / hardness	150	120	x	x	x	x	x		
LGZ 150150 / Type / thread / hardness	150	150	x	x	x	x	x		
LGZ 165075 / Type / thread / hardness	165	75	x	x	x	x	x	M16 x 43 or M20 x 45	
LGZ 200050 / Type / thread / hardness	200	50	x	x	x	x	x	M20 x 45 or M24 x 45	
LGZ 200100 / Type / thread / hardness	200	100	x	x	x	x	x		

Lohmann GmbH

Bühlmattstrasse 7

6045 Meggen / Switzerland

Tel. +41 41 377 41 14

info@silentblock.ch | info@silentblock.de

www.silentblock.ch | www.silentblock.de

List of Articles - Rubber-Metal-Buffers fitted



Lohmann - part no.	diameter 1	diameter 2	height	x = available			Type A (two bolts) / Type B (bolt + inner thread) / Type C (two inner threads)
				Type A	Type B	Type C	
LGT 010008 / Type / thread / hardness	10	4,5	8	x	x		M4 x 10
LGT 010010 / Type / thread / hardness	10	8	10	x	x		M4 x 10
LGT 010015 / Type / thread / hardness	10	8	15	x	x	x	M4 x 10
LGT 015015 / Type / thread / hardness	15	8,5	15	x	x	x	M4 x 10
LGT 015015X / Type / thread / hardness	15	12	15	x	x	x	M4 x 10
LGT 015020 / Type / thread / hardness	15	12	20	x	x	x	M5 x 10
LGT 015030 / Type / thread / hardness	15	12	30	x	x	x	M4 x 10
LGT 018012 / Type / thread / hardness	18	15	12	x	x		M6 x 18
LGT 020015 / Type / thread / hardness	20	14	15	x	x	x	M6 x 18
LGT 020019 / Type / thread / hardness	20	14	19	x	x	x	M6 x 18
LGT 020020 / Type / thread / hardness	20	16	20	x	x	x	M6 x 18
LGT 020030 / Type / thread / hardness	20	12	30	x	x	x	M6 x 18
LGT 020030X / Type / thread / hardness	20	14	30	x	x	x	M6 x 18
LGT 020040 / Type / thread / hardness	20	15	40	x	x	x	M6 x 18

Lohmann - part no.	diameter 1	diameter 2	height	x = available			Type A (two bolts) / Type B (bolt + inner thread) / Type C (two inner threads)
				Type A	Type B	Type C	
LGT 021022 / Type / thread / hardness	21	16	22	x	x	x	M6 x 18
LGT 025020 / Type / thread / hardness	25	18	20	x	x	x	M6 x 18
LGT 025020X / Type / thread / hardness	25	20	20	x	x	x	M6 x 18
LGT 030015 / Type / thread / hardness	30	22	15	x	x	x	M6 x 18
LGT 030020 / Type / thread / hardness	30	22	20	x	x	x	M8 x 23
LGT 030020X / Type / thread / hardness	30	25	20	x	x	x	M8 x 23
LGT 030025 / Type / thread / hardness	30	18	25	x	x	x	M8 x 23
LGT 030030 / Type / thread / hardness	30	18	30	x	x	x	M8 x 23
LGT 030040 / Type / thread / hardness	30	20	40	x	x	x	M8 x 23
LGT 035015 / Type / thread / hardness	35	31	15	x	x	x	M8 x 23
LGT 035034 / Type / thread / hardness	35	25	34	x	x	x	M8 x 23
LGT 040025 / Type / thread / hardness	40	30	25	x	x	x	M8 x 23
LGT 040030 / Type / thread / hardness	40	25	30	x	x	x	M8 x 23
LGT 040030X / Type / thread / hardness	40	33	30	x	x	x	M8 x 23
LGT 040040 / Type / thread / hardness	40	25	40	x	x	x	M8 x 23
LGT 040048 / Type / thread / hardness	40	20	48	x	x	x	M8 x 23
LGT 040050 / Type / thread / hardness	40	32	50	x	x	x	M8 x 23
LGT 046025 / Type / thread / hardness	46	40	25	x	x	x	M10 x 28
LGT 050015 / Type / thread / hardness	50	46	15	x	x	x	M10 x 28
LGT 050030 / Type / thread / hardness	50	42	30	x	x	x	M10 x 28
LGT 050040 / Type / thread / hardness	50	42	40	x	x	x	M10 x 28
LGT 050050 / Type / thread / hardness	50	35	50	x	x	x	M10 x 28

Lohmann - part no.	diameter 1	diameter 2	height	x = available			ype A (two bolts) / Type B (bolt + inner thread) / Type C (two inner threads)
				Type A	Type B	Type C	Thread x standard bolt length
LGT 055045 / Type / thread / hardness	55	44	45	x	x	x	M10 x 28
LGT 057045 / Type / thread / hardness	57	25	45	x	x	x	M10 x 28
LGT 057045X / Type / thread / hardness	57	44	45	x	x	x	M10 x 28
LGT 060050 / Type / thread / hardness	60	49	50	x	x	x	M10 x 28
LGT 060060 / Type / thread / hardness	60	49	60	x	x	x	M10 x 28
LGT 060065 / Type / thread / hardness	60	49	65	x	x	x	M10 x 28
LGT 070053 / Type / thread / hardness	70	45	53	x	x	x	M12 x 37
LGT 072033 / Type / thread / hardness	72	64	33,5	x	x	x	M12 x 37
LGT 075035 / Type / thread / hardness	75	55	35	x	x	x	M12 x 37
LGT 075040 / Type / thread / hardness	75	60	40	x	x	x	M12 x 37
LGT 095075 / Type / thread / hardness	95	80	75	x	x	x	M16 x 41
LGT 100075 / Type / thread / hardness	100	80	75	x	x	x	M16 x 41
LGT 120180 / Type / thread / hardness	120	100	180	x	x	x	M20 x 43
LGT 180075 / Type / thread / hardness	180	148	75	x	x	x	M20 x 43
LGT 180075X / Type / thread / hardness	180	150	75	x	x	x	M20 x 43

List of articles - Rubber-Metal-Buffers parabolic

Lohmann GmbH

Bühlmattstrasse 7

6045 Meggen / Switzerland

Tel. +41 41 377 41 14

info@silentblock.ch | info@silentblock.de

www.silentblock.ch | www.silentblock.de



Lohmann - part no.	Diameter	Height	x = available		Type D means with bolt / Type E means with inner thread
			Type D	Type E	Thread x standard bolt length
LGP 010010 / Type / thread / hardness	10	10	x	x	M4 x 10
LGP 012015 / Type / thread / hardness	12	15	x	x	M4 x 10
LGP 015010 / Type / thread / hardness	15	10	x	x	M4 x 10
LGP 015012 / Type / thread / hardness	15	12	x	x	M4 x 10
LGP 015015 / Type / thread / hardness	15	15	x	x	M4 x 10
LGP 015022 / Type / thread / hardness	15	22	x	x	M4 x 10
LGP 018015 / Type / thread / hardness	18	15	x	x	M6 x 18
LGP 020010 / Type / thread / hardness	20	10	x	x	M6 x 18
LGP 020015 / Type / thread / hardness	20	15	x	x	M6 x 18
LGP 020021 / Type / thread / hardness	20	21	x	x	M6 x 18
LGP 020024 / Type / thread / hardness	20	24	x	x	M6 x 18
LGP 020028 / Type / thread / hardness	20	28	x	x	M6 x 18
LGP 025015 / Type / thread / hardness	25	15	x	x	M6 x 18
LGP 025016 / Type / thread / hardness	25	16	x	x	M6 x 18

Lohmann - part no.	Diameter	Height	x = available		Type D means with bolt / Type E means with inner thread
			Type D	Type E	Thread x standard bolt length
LGP 025019 / Type / thread / hardness	25	19	x	x	M6 x 18
LGP 025020 / Type / thread / hardness	25	20	x	x	M6 x 18
LGP 025025 / Type / thread / hardness	25	25	x	x	M6 x 18
LGP 030030 / Type / thread / hardness	30	30	x	x	M8 x 23
LGP 030036 / Type / thread / hardness	30	36	x	x	M8 x 23
LGP 032036 / Type / thread / hardness	32	36	x	x	M8 x 23
LGP 035040 / Type / thread / hardness	35	40	x	x	M8 x 23
LGP 036040 / Type / thread / hardness	36	40	x	x	M8 x 23
LGP 045051 / Type / thread / hardness	45	51	x	x	M8 x 23
LGP 050050 / Type / thread / hardness	50	50	x	x	M10 x 28
LGP 050058 / Type / thread / hardness	50	58	x	x	M10 x 28
LGP 050061 / Type / thread / hardness	50	61	x	x	M10 x 28
LGP 050065 / Type / thread / hardness	50	65	x	x	M10 x 28
LGP 050068 / Type / thread / hardness	50	68	x	x	M10 x 28
LGP 060040 / Type / thread / hardness	60	40	x	x	M12 x 37
LGP 060075 / Type / thread / hardness	60	75	x	x	M12 x 37
LGP 070058 / Type / thread / hardness	70	58	x	x	M12 x 37
LGP 070060 / Type / thread / hardness	70	60	x	x	M12 x 37
LGP 072058 / Type / thread / hardness	72	58	x	x	M12 x 37
LGP 075089 / Type / thread / hardness	75	89	x	x	M12 x 37
LGP 076085 / Type / thread / hardness	76	85	x	x	M16 x 41
LGP 080085 / Type / thread / hardness	80	85	x	x	M16 x 41

Lohmann - part no.	Diameter	Height	x = available		Type D means with bolt / Type E means with inner thread
			Type D	Type E	Thread x standard bolt length
LGP 095080 / Type / thread / hardness	95	80	x	x	M16 x 41
LGP 095083 / Type / thread / hardness	95	83	x	x	M16 x 41
LGP 108094 / Type / thread / hardness	108	94	x	x	M16 x 41
LGP 108108 / Type / thread / hardness	108	108	x	x	M16 x 41
LGP 108121 / Type / thread / hardness	108	121	x	x	M16 x 41
LGP 115136 / Type / thread / hardness	115	136	x	x	M16 x 41
LGP 118077 / Type / thread / hardness	118	77	x	x	M16 x 41

List of articles - Rubber-Metal-Buffers conical

Lohmann GmbH

Bühlmattstrasse 7

6045 Meggen / Switzerland

Tel. +41 41 377 41 14

info@silentblock.ch | info@silentblock.de

www.silentblock.ch | www.silentblock.de



Lohmann - part no.	Diameter	Height	x = available		Type D means with bolt / Type E means with inner thread
			Type D	Type E	Thread x standard bolt length
LGK 008007 / Type / thread / hardness	8	7	x	x	M4 x 10
LGK 012012 / Type / thread / hardness	12	12	x	x	M4 x 10
LGK 014005 / Type / thread / hardness	14	5	x		M4 x 10
LGK 014006 / Type / thread / hardness	14	6	x	x	M4 x 10
LGK 015008 / Type / thread / hardness	15	8	x	x	M4 x 10
LGK 015009 / Type / thread / hardness	15	9	x	x	M4 x 10
LGK 015010 / Type / thread / hardness	15	10	x	x	M4 x 10
LGK 015012 / Type / thread / hardness	15	12	x	x	M4 x 10
LGK 020013 / Type / thread / hardness	20	13	x	x	M6 x 18
LGK 020014 / Type / thread / hardness	20	14	x	x	M6 x 18
LGK 020015 / Type / thread / hardness	20	15	x	x	M6 x 18
LGK 020016 / Type / thread / hardness	20	16	x	x	M6 x 18
LGK 020017 / Type / thread / hardness	20	17	x	x	M6 x 18
LGK 022008 / Type / thread / hardness	22	8	x		M6 x 18

Lohmann - part no.	Diameter	Height	x = available		Type D means with bolt / Type E means with inner thread
			Type D	Type E	Thread x standard bolt length
LGK 022018 / Type / thread / hardness	22	18	x	x	M6 x 18
LGK 025005 / Type / thread / hardness	25	5	x		M6 x 18
LGK 025012 / Type / thread / hardness	25	12	x	x	M6 x 18
LGK 025014 / Type / thread / hardness	25	14	x	x	M6 x 18
LGK 025015 / Type / thread / hardness	25	15	x	x	M6 x 18
LGK 025017 / Type / thread / hardness	25	17	x	x	M6 x 18
LGK 025020 / Type / thread / hardness	25	20	x	x	M6 x 18
LGK 025022 / Type / thread / hardness	25	22	x	x	M6 x 18
LGK 025028 / Type / thread / hardness	25	28	x	x	M6 x 18
LGK 025035 / Type / thread / hardness	25	35	x	x	M6 x 18
LGK 026024 / Type / thread / hardness	26	24	x	x	M6 x 18
LGK 028017 / Type / thread / hardness	28	17	x	x	M6 x 18
LGK 030013 / Type / thread / hardness	30	13	x	x	M8 x 23
LGK 030015 / Type / thread / hardness	30	15	x	x	M8 x 23
LGK 030020 / Type / thread / hardness	30	20	x	x	M8 x 23
LGK 030025 / Type / thread / hardness	30	25	x	x	M8 x 23
LGK 030028 / Type / thread / hardness	30	28	x	x	M8 x 23
LGK 030035 / Type / thread / hardness	30	35	x	x	M8 x 23
LGK 030040 / Type / thread / hardness	30	40	x	x	M8 x 23
LGK 032022 / Type / thread / hardness	32	22	x	x	M8 x 23
LGK 035040 / Type / thread / hardness	35	40	x	x	M8 x 23
LGK 037023 / Type / thread / hardness	37	23	x	x	M8 x 23

Lohmann - part no.	Diameter	Height	x = available		Type D means with bolt / Type E means with inner thread
			Type D	Type E	Thread x standard bolt length
LGK 038035 / Type / thread / hardness	38	35	x	x	M10 x 28
LGK 040025 / Type / thread / hardness	40	25	x	x	M8 x 23
LGK 040030 / Type / thread / hardness	40	30	x	x	M8 x 23
LGK 043035 / Type / thread / hardness	43	35	x	x	M10 x 28
LGK 043050 / Type / thread / hardness	43	50	x	x	M10 x 28
LGK 043060 / Type / thread / hardness	43	60	x	x	M10 x 28
LGK 045021 / Type / thread / hardness	45	21	x	x	M10 x 28
LGK 050017 / Type / thread / hardness	50	17	x	x	M10 x 28
LGK 050018 / Type / thread / hardness	50	18	x	x	M10 x 28
LGK 050020 / Type / thread / hardness	50	20	x	x	M10 x 28
LGK 050030 / Type / thread / hardness	50	30	x	x	M10 x 28
LGK 050040 / Type / thread / hardness	50	40	x	x	M10 x 28
LGK 050050 / Type / thread / hardness	50	50	x	x	M10 x 28
LGK 050055 / Type / thread / hardness	50	55	x	x	M10 x 28
LGK 060040 / Type / thread / hardness	60	40	x	x	M10 x 28
LGK 070025 / Type / thread / hardness	70	25	x	x	M12 x 37
LGK 075025 / Type / thread / hardness	75	25	x	x	M12 x 37
LGK 080028 / Type / thread / hardness	80	28	x	x	M12 x 37
LGK 080030 / Type / thread / hardness	80	30	x	x	M12 x 37
LGK 125045 / Type / thread / hardness	125	45	x	x	M16 x 41

List of articles - Rubber-Metal-Buffers conical

Lohmann GmbH

Bühlmattstrasse 7

6045 Meggen / Switzerland

Tel. +41 41 377 41 14

info@silentblock.ch | info@silentblock.de

www.silentblock.ch | www.silentblock.de



Lohmann - part no.	length	height	x = available		Type D means with bolt / Type E means with inner thread Thread x standard bolt length
			Type D	Type E	
LGY 050020 / Type / thread / hardness	50	20	x	x	M10 x 28
LGY 080025 / Type / thread / hardness	80	25	x	x	M12 x 37
LGY 080030 / Type / thread / hardness	80	30	x	x	M12 x 37

List of Articles - Rubber-Metal-Buffers spherically

Lohmann GmbH

Bühlmattstrasse 7

6045 Meggen / Switzerland

Tel. +41 41 377 41 14

info@silentblock.ch | info@silentblock.de

www.silentblock.ch | www.silentblock.de



Lohmann - part no.	Diameter	Height	x=available		Type D means with bolt / Type E means with inner thread
			Type D	Type E	
					Thread x standard bolt length
LGB 020020 / Type / thread / hardness	20	20	x	x	M6 x18
LGB 050035 / Type / thread / hardness	50	35	x	x	M10 x 28
LGB 050040 / Type / thread / hardness	50	40	x	x	M10 x 28
LGB 063050 / Type / thread / hardness	63	50	x	x	M10 x 28
LGB 080060 / Type / thread / hardness	80	60	x	x	M12 x 37
LGB 080066 / Type / thread / hardness	80	66	x	x	M12 x 37
LGB 100084 / Type / thread / hardness	100	84	x	x	M16 x 43
LGB 125090 / Type / thread / hardness	125	90	x	x	M16 x 43
LGB 125104 / Type / thread / hardness	125	104	x	x	M16 x 43
LGB 160131 / Type / thread / hardness	160	131	x	x	M16 x 43
LGB 200166 / Type / thread / hardness	200	166	x	x	M20 x 45
LGB 250208 / Type / thread / hardness	250	208	x	x	M20 x 45

List of articles - Rubber-Metal-Buffers pointed

Lohmann GmbH

Bühlmattstrasse 7

6045 Meggen / Switzerland

Tel. +41 41 377 41 14

info@silentblock.ch | info@silentblock.de

www.silentblock.ch | www.silentblock.de



Lohmann - part no.	diameter	height	x = available		Type D means with bolt / Type E means with inner thread
			Type D	Type E	
Thread x standard bolt length					
LGX 024017 / Type / thread / hardness	24	17	x	x	M6 x18
LGX 025016 / Type / thread / hardness	25	16	x	x	M6 x18
LGX 040024 / Type / thread / hardness	40	24	x	x	M8 x 23
LGX 050028 / Type / thread / hardness	50	28	x	x	M10 x 28
LGX 050045 / Type / thread / hardness	50	45	x	x	M10 x 28
LGX 060045 / Type / thread / hardness	60	45	x	x	M10 x 28
LGX 085065 / Type / thread / hardness	85	65	x	x	M12 x 37

List of Articles - Rubber-Metal-Buffers semicircular

Lohmann GmbH

Bühlmattstrasse 7

6045 Meggen / Switzerland

Tel. +41 41 377 41 14

info@silentblock.ch | info@silentblock.de

www.silentblock.ch | www.silentblock.de



Lohmann - part no.	diameter	height	x = available		Type D means with bolt / Type E means with inner thread
			Type D	Type E	Thread x standard bolt length
LGH 025013 / Type / thread / hardness	25	13	x	x	M6 x18
LGH 025015 / Type / thread / hardness	25	15	x	x	M6 x18
LGH 035040 / Type / thread / hardness	35	40	x	x	M8 x 23

List of articles - suction buffers

Lohmann GmbH

Bühlmattstrasse 7

6045 Meggen / Switzerland

Tel. +41 41 377 41 14

info@silentblock.ch | info@silentblock.de

www.silentblock.ch | www.silentblock.de



Lohmann - part no.	diameter	height	x = available		Type D means with bolt / Type E means with inner thread
			Type D	Type E	Thread x standard bolt length
LGS 015014 / Type / thread / hardness	15	14	x	x	M4 x 10
LGS 020017 / Type / thread / hardness	20	17	x	X	M6 x 18
LGS 020023 / Type / thread / hardness	20	23,5	x	x	M6 x 18
LGS 025018 / Type / thread / hardness	25	18,5	x	x	M6 x 18
LGS 025020 / Type / thread / hardness	25	20	x	x	M6 x 18
LGS 030010 / Type / thread / hardness	30	10	x	x	M8 x 23
LGS 030028 / Type / thread / hardness	30	28,5	x	x	M8 x 23
LGS 040028 / Type / thread / hardness	40	28	x	x	M8 x 23
LGS 050028 / Type / thread / hardness	50	28	x	x	M10 x 28
LGS 070030 / Type / thread / hardness	70	30	x	x	M10 x 28
LGS 070043 / Type / thread / hardness	70	43	x	x	M12 x 37
LGS 075037 / Type / thread / hardness	75	37	x	x	M12 x 37
LGS 100050 / Type / thread / hardness	100	50	x	x	M16 x 43
LGS 150060 / Type / thread / hardness	150	60	x	x	M16 x 43

Lohmann GmbH

Bühlmattstrasse 7

6045 Meggen / Switzerland

Tel. +41 41 377 41 14

info@silentblock.ch | info@silentblock.de

www.silentblock.ch | www.silentblock.de

List of articles - Rubber-Metal-Rails



Lohmann - part no.	width	height	x = available		Standard length 2000 mm, other length and other measurements or special elements upon request
			one side steel (Type A)	both sides steel (Type B)	Standard-steelplate thickness
LSS 020030 / Type / steel / hardness	20	30	X	X	5
LSS 025025 / Type / steel / hardness	25	25	X	X	5 or 10
LSS 025030 / Type / steel / hardness	25	30	X	X	5 or 10
LSS 030020 / Type / steel / hardness	30	20	X	X	5
LSS 030030 / Type / steel / hardness	30	30	X	X	5 or 10
LSS 040020 / Type / steel / hardness	40	20	X	X	5
LSS 040030 / Type / steel / hardness	40	30	X	X	5 or 10
LSS 040040 / Type / steel / hardness	40	40	X	X	5 or 10
LSS 050030 / Type / steel / hardness	50	30	X	X	5 or 10
LSS 050040 / Type / steel / hardness	50	40	X	X	5 or 10
LSS 050050 / Type / steel / hardness	50	50	X	X	5 or 10
LSS 050060 / Type / steel / hardness	50	60	X	X	5 or 10
LSS 050070 / Type / steel / hardness	50	70	X	X	5 or 10
LSS 060020 / Type / steel / hardness	60	20	X	X	5 or 10

Lohmann - part no.	width	height	x = available		Standard length 2000 mm, other length and other measurements or special elements upon request
			one side steel (Type A)	both sides steel (Type B)	Standard-steelplate thickness
LSS 060030 / Type / steel / hardness	60	30	X	X	5 or 10
LSS 060040 / Type / steel / hardness	60	40	X	X	5 or 10
LSS 060050 / Type / steel / hardness	60	50	X	X	5 or 10
LSS 060060 / Type / steel / hardness	60	60	X	X	5 or 10
LSS 060070 / Type / steel / hardness	60	70	X	X	5 or 10
LSS 060080 / Type / steel / hardness	60	80	X	X	5 or 10
LSS 070030 / Type / steel / hardness	70	30	X	X	5 or 10
LSS 070040 / Type / steel / hardness	70	40	X	X	5 or 10
LSS 070050 / Type / steel / hardness	70	50	X	X	5 or 10
LSS 070060 / Type / steel / hardness	70	60	X	X	5 or 10
LSS 070070 / Type / steel / hardness	70	70	X	X	5 or 10
LSS 070080 / Type / steel / hardness	70	80	X	X	5 or 10
LSS 080040 / Type / steel / hardness	80	40	X	X	5 or 10
LSS 080045 / Type / steel / hardness	80	45	X	X	5 or 10
LSS 080060 / Type / steel / hardness	80	60	X	X	5 or 10
LSS 080080 / Type / steel / hardness	80	80	X	X	5 or 10
LSS 090045 / Type / steel / hardness	90	45	X	X	10 or 15
LSS 100040 / Type / steel / hardness	100	40	X	X	10 or 15
LSS 100050 / Type / steel / hardness	100	50	X	X	10 or 15
LSS 100060 / Type / steel / hardness	100	60	X	X	10 or 15
LSS 100070 / Type / steel / hardness	100	70	X	X	10 or 15
LSS 100080 / Type / steel / hardness	100	80	X	X	10 or 15

Lohmann - part no.	width	height	x = available		Standard length 2000 mm, other length and other measurements or special elements upon request
			one side steel (Type A)	both sides steel (Type B)	Standard-steelplate thickness
LSS 100090 / Type / steel / hardness	100	90	X	X	10 or 15
LSS 100100 / Type / steel / hardness	100	100	X	X	10 or 15
LSS 120045 / Type / steel / hardness	120	45	X	X	10 or 15
LSS 120050 / Type / steel / hardness	120	50	X	X	10 or 15
LSS 120060 / Type / steel / hardness	120	60	X	X	10 or 15
LSS 120070 / Type / steel / hardness	120	70	X	X	10 or 15
LSS 120080 / Type / steel / hardness	120	80	X	X	10 or 15
LSS 150050 / Type / steel / hardness	150	50	X	X	10 or 15
LSS 150060 / Type / steel / hardness	150	60	X	X	10 or 15
LSS 150070 / Type / steel / hardness	150	70	X	X	10 or 15
LSS 150080 / Type / steel / hardness	150	80	X	X	10 or 15
LSS 150090 / Type / steel / hardness	150	90	X	X	10 or 15
LSS 150100 / Type / steel / hardness	150	100	X	X	10 or 15
LSS 200060 / Type / steel / hardness	200	60	X	X	10 or 15
LSS 200080 / Type / steel / hardness	200	80	X	X	10 or 15
LSS 200100 / Type / steel / hardness	200	100	X	X	10 or 15

Lohmann GmbH

Bühlmattstrasse 7

6045 Meggen / Switzerland

Tel. +41 41 377 41 14

info@silentblock.ch | info@silentblock.de

www.silentblock.ch | www.silentblock.de

List of Articles - Rubber-Metal-Bushings



Lohmann - part no.	outer diameter	inner diameter	outer length	inner length	other measurements upon request
LBB 16061214	16	6	12	14	
LBB 16062022	16	6,1	20	22	
LBB 16081515	16	8	15	15	
LBB 16081517	16	8	15	17	
LBB 16082022	16	8	20	22	
LBB 16082528	16	8	25	28	
LBB 18101820	18	10	18	20	
LBB 18102222	18	10	22,2	22,2	
LBB 19082830	19	8	28	30	
LBB 19072225	19,05	6,6	22,4	25,4	
LBB 20081517	20	8	15	17	
LBB 20081719	20	8	17	19	
LBB 20083540	20	8	35	40	
LBB 20102024	20	10	20	24	

Lohmann - part no.	outer diameter	inner diameter	outer length	inner length	other measurements upon request
LBB 21101315	20,5	9,5	13	15	
LBB 21102426	21	10	24	26	
LBB 22081016	22	8	10	16	
LBB 22081220	22	8	12	20	
LBB 22101516	22	10	15	16	
LBB 22101517	22	10	15	17	
LBB 22101820	22	10	18	20	
LBB 22101824	22	10	18	24	
LBB 22101921	22	10	18,5	20,5	
LBB 22102021	22	10	20	21	
LBB 22102023	22	10	20	23	
LBB 22102024	22	10	20	24	
LBB 22102530	22	10	25	30	
LBB 22103033	22	10	30	33	
LBB 22121824	22	12	18	24	
LBB 22122224	22	12	22	24	
LBB 22122428	22	12	24	28	
LBB 22122528	22	12	25	28	
LBB 22123033	22	12	30	33	
LBB 22124446	22	12	44	46	
LBB 24051517	24	5,1	15	17	
LBB 24101417	24	10	14	17	

Lohmann - part no.	outer diameter	inner diameter	outer length	inner length	other measurements upon request
LBB 24101518	24	10	15	18	
LBB 24101618	24	10	16	18	
LBB 24101824	24	10	18	24	
LBB 24102024	24	10	20	23,5	
LBB 24103441	24	10	34	41	
LBB 24111618	24	11	16	18	
LBB 24123538	24	12	35	38	
LBB 24123637	24	12	36	37	
LBB 25102020	25	10	20	20	
LBB 25102024	25	10	20	24	
LBB 25102025	25	10	20	25	
LBB 25102030	25	10	20	30	
LBB 25103034	25	10	30	34	
LBB 25113541	25	10,5	35	41	
LBB 25121717	25	12	17	17	
LBB 25122023	25	12	20	23	
LBB 25122024	25	12	20	24	
LBB 25122428	25	12	24	28	
LBB 25122528	25	12	25	28	
LBB 25123034	25	12	30	34	
LBB 25123236	25	12	32	36	
LBB 25123538	25	12	35	38	

Lohmann - part no.	outer diameter	inner diameter	outer length	inner length	other measurements upon request
LBB 25123544	25	12	35	44	
LBB 25123840	25	12	38	40	
LBB 25124044	25	12	40	44	
LBB 25124549	25	12	45	49	
LBB 25124551	25	12	45	51	
LBB 25125054	25	12	50	54	
LBB 26101819	25,5	10	18	19	
LBB 26083236	26	8	32	36	
LBB 26092525	26	8,5	25	25	
LBB 26102335	26	10	23	35	
LBB 26113236	26	11	32	36	
LBB 26121724	26	12	17	24	
LBB 26121824	26	12	17,5	24	
LBB 26121824	26	12	18	24	
LBB 26122024	26	12	20	24	
LBB 26122328	26	12	23	27,5	
LBB 26123034	26	12	30	34	
LBB 26123236	26	12	32	36	
LBB 26124648	26	12	46	48	
LBB 26125054	26	12	50	54	
LBB 26142932	26	14	29	32	
LBB 27121824	26,5	12	18	24	

Lohmann - part no.	outer diameter	inner diameter	outer length	inner length	other measurements upon request
LBB 27101722	27	10	17	22	
LBB 27102020	27	10	20	20	
LBB 27103541	27	10	35	41	
LBB 27103840	27	10	38	40	
LBB 27104551	27	10	45	51	
LBB 27105056	27	10	50	56	
LBB 27124048	27	12	40	48	
LBB 27124551	27	12	45	51	
LBB 27125056	27	12	50	56	
LBB 27126068	27	12	60	68	
LBB 27127480	27	12	74	80	
LBB 27133844	27	13	38	44	
LBB 27141725	27	14	17	25	
LBB 27142531	27	14	25	31	
LBB 27144045	27	14	40	45	
LBB 27144048	27	14	40	48	
LBB 27144549	27	14	45	49	
LBB 27144854	27	14	48	54	
LBB 27145056	27	14	50	56	
LBB 28091616	28	8,5	16	16	
LBB 28102027	28	10	20	27	
LBB 28102353	28	10	23	53	

Lohmann - part no.	outer diameter	inner diameter	outer length	inner length	other measurements upon request
LBB 28122428	28	12	24	28	
LBB 28123042	28	12	30	42	
LBB 28123238	28	12	32	38	
LBB 28123244	28	12	32	44	
LBB 28142828	28	14	28	28	
LBB 28143033	28	14	30	33	
LBB 28144040	28	14	40	40	
LBB 28140444	28	14	40	44	
LBB 28184040	28	18	40	40	
LBB 29132529	28,6	12,7	25,4	28,6	
LBB 29143244	29	14	32	44	
LBB 30102230	30	10	22	30	
LBB 30102430	30	10	24	30	
LBB 30102530	30	10	25	30	
LBB 30103238	30	10	32	38	
LBB 30104549	30	10	45	49	
LBB 30102732	30	10,25	27	32	
LBB 30121718	30	12	17	18	
LBB 30122428	30	12	24	28	
LBB 30122430	30	12	24	30	
LBB 30122528	30	12	25	28	
LBB 30122834	30	12	28	34	

Lohmann - part no.	outer diameter	inner diameter	outer length	inner length	other measurements upon request
LBB 30123035	30	12	30	35	
LBB 30123244	30	12	32	44	
LBB 30123444	30	12	34	44	
LBB 30123640	30	12	36	40	
LBB 30123944	30	12	39	44	
LBB 30124851	30	12	48	51	
LBB 30134040	30	13	40	40	
LBB 30142528	30	14	25	28	
LBB 30142530	30	14	25	30	
LBB 30143646	30	14	35,5	46	
LBB 30143842	30	14	38	42	
LBB 30144549	30	14	45	49	
LBB 30144550	30	14	45	50	
LBB 30145054	30	14	50	54	
LBB 30146776	30	14	67	76	
LBB 30153842	30	14,5	38	42	
LBB 30161415	30	16	14	15	
LBB 30163238	30	16	32	38	
LBB 30171415	30	16,5	14	15	
LBB 30162933	30,15	15,75	29	33	
LBB 30162932	30,25	15,9	28,5	31,8	
LBB 31143335	31	14	33	35	

Lohmann - part no.	outer diameter	inner diameter	outer length	inner length	other measurements upon request
LBB 32081823	32	8	18	23	
LBB 32103034	32	10	30	34	
LBB 32123440	32	12	34	40	
LBB 32125559	32	12	55	59	
LBB 32142832	32	14	28	32	
LBB 32143240	32	14	32	40	
LBB 32143838	32	14	38	38	
LBB 32144054	32	14	40	54	
LBB 32145054	32	14	50	54	
LBB 32145559	32	14	55	59	
LBB 32146066	32	14	60	66	
LBB 32161617	32	16	16	17	
LBB 32161921	32	16	19	21	
LBB 32162026	32	16	20	26	
LBB 32162230	32	16	22	30	
LBB 32162528	32	16	25	28	
LBB 32162832	32	16	28	32	
LBB 32165054	32	16	50	54	
LBB 32165961	32	16	59	61	
LBB 32166066	32	16	60	66	
LBB 32182020	32	18	20	20	
LBB 33165058	33	16	50	58	

Lohmann - part no.	outer diameter	inner diameter	outer length	inner length	other measurements upon request
LBB 33166066	33	16	60	66	
LBB 34103141	34	10	31	41	
LBB 34124454	34	12	44	54	
LBB 34143240	34	14	32	40	
LBB 34144045	34	14	40	45	
LBB 34163236	34	16	32	36	
LBB 34163238	34	16	32	38	
LBB 34164040	34	16	40	40	
LBB 34182525	34	18	25	25	
LBB 34183033	34	18	30	33	
LBB 34183236	34	18	32	36	
LBB 34183642	34	18	36	42	
LBB 34186571	34	18	65	71	
LBB 35142832	35	14	28	32	
LBB 35143539	35	14	35	39	
LBB 35144550	35	14,2	45	50	
LBB 35154550	35	15	45	50	
LBB 35165862	35	16	58	62	
LBB 35174040	35	17	40	40	
LBB 35184040	35	18	40	40	
LBB 35185050	35	18	50	50	
LBB 36103850	36	10	38	50	

Lohmann - part no.	outer diameter	inner diameter	outer length	inner length	other measurements upon request
LBB 36123038	36	12	30	38	
LBB 36145055	36	14	50	55	
LBB 36146570	36	14	65	70	
LBB 36163238	36	16	32	38	
LBB 36163543	36	16	35	43	
LBB 36165054	36	16	50	54	
LBB 36184959	36	18	48,5	58,5	
LBB 36194855	36	19	48	55	
LBB 37103850	36,5	10	38	50	
LBB 37204046	37	20	40	46	
LBB 38143838	38	14	38	38	
LBB 38147381	38	14	73	81	
LBB 38148590	38	14	85	90	
LBB 38147381X	38	14,2	73	81	
LBB 3814107116	38	14,2	107	116	
LBB 38146371	38	14,25	63	71	
LBB 38163238	38	16	32	38	
LBB 38163538	38	16	35	38	
LBB 38166072	38	16	60	72	
LBB 38166472	38	16	64	72	
LBB 38186371	38	18,25	63	71	
LBB 38204650	38	19,5	46	50	

Lohmann - part no.	outer diameter	inner diameter	outer length	inner length	other measurements upon request
LBB 38201520	38	20	15	20	
LBB 38203538	38	20	35	38	
LBB 38203842	38	20	38	42	
LBB 38204046	38	20	40	46	
LBB 38204448	38	20	44	48	
LBB 38207076	38	20	70	76	
LBB 38208590	38	20	85	90	
LBB 38203541	38,18	20,07	34,9	41,3	
LBB 40081722	40	8	17	22	
LBB 40123546	40	12	35	46	
LBB 40124060	40	12	40	60	
LBB 40125856	40	12	58	56	
LBB 40142832	40	14	28	34	
LBB 40163238	40	16	32	38	
LBB 40163543	40	16	35	43	
LBB 40165054	40	16	50	54	
LBB 40165459	40	16	54	59	
LBB 40165862	40	16	58	62	
LBB 40203238	40	20	32	38	
LBB 40203636	40	20	36	36	
LBB 40204046	40	20	40	46	
LBB 40204651	40	20	46	51	

Lohmann - part no.	outer diameter	inner diameter	outer length	inner length	other measurements upon request
LBB 40205055	40	20	50	55	
LBB 40206266	40	20	62	66	
LBB 40224045	40	22	40	45	
LBB 40224545	40	22	45	45	
LBB 40225054	40	22	50	54	
LBB 40252020	40	25	20	20	
LBB 40253030	40	25	30	30	
LBB 40253540	40	25	35	40	
LBB 40254040	40	25	40	40	
LBB 40255056	40	25	50	56	
LBB 40255058	40	25	50	58	
LBB 40264045	40	26	40	45	
LBB 41206470	40,5	20	64	70	
LBB 41223240	40,5	22	32	40	
LBB 41173538	41	17	35	38	
LBB 41192533	41	19	25	33	
LBB 41202121	41	20	20,5	20,5	
LBB 42121622	42	12	16	22	
LBB 42123546	42	12	35	46	
LBB 42143538	42	14	35	38	
LBB 42183538	42	18	35	38	
LBB 42183542	42	18	35	42	

Lohmann - part no.	outer diameter	inner diameter	outer length	inner length	other measurements upon request
LBB 42203546	42	20	35	46	
LBB 42224044	42	22	40	44	
LBB 42244550	42	24	45	50	
LBB 42245055	42	24	50	55	
LBB 42249096	42	24	90	96	
LBB 42252223	42	25	22	23	
LBB 43245055	43	24	50	55	
LBB 44183542	43,5	18	35	42	
LBB 44102836	44	10	28	36	
LBB 44123448	44	12	34	48	
LBB 44162832	44	16	28	32	
LBB 44166065	44	16	60	65	
LBB 44203842	44	20	38	42	
LBB 45164652	45	16	46	52	
LBB 45203030	45	20	30	30	
LBB 45203540	45	20	35	40	
LBB 45203842	45	20	38	42	
LBB 45204036	45	20	40	35,5	
LBB 45204043	45	20	40	43	
LBB 45204046	45	20	40	46	
LBB 45205555	45	20	55	55	
LBB 45205563	45	20	55	62,5	

Lohmann - part no.	outer diameter	inner diameter	outer length	inner length	other measurements upon request
LBB 45206063	45	20	59,5	62,5	
LBB 45206063	45	20	60	63	
LBB 45206470	45	20	64	70	
LBB 45207075	45	20	70	75	
LBB 45208083	45	20	80	83	
LBB 45223240	45	22	32	40	
LBB 45224050	45	22	40	50	
LBB 45244455	45	24	44	55	
LBB 45254040	45	25	40	40	
LBB 45255050	45	25	50	50	
LBB 45255056	45	25	50	56	
LBB 45258080	45	25	80	80	
LBB 45272751	45	27	27	51	
LBB 45283540	45	28	35	40	
LBB 45351010	45	35	10	10	
LBB 46143745	46	14	37	45	
LBB 46166067	46	16	60	67	
LBB 46186067	46	18	60	67	
LBB 46186065	46	18,2	60	65	
LBB 46187381	46	18,2	73	81	
LBB 46186371	46	18,25	63	71	
LBB 46203542	46	20	35	42	

Lohmann - part no.	outer diameter	inner diameter	outer length	inner length	other measurements upon request
LBB 46204555	46	20	45	55	
LBB 46206067	46	20	60	67	
LBB 48164651	47,5	16	45,5	51	
LBB 48164959	48	16	49	59	
LBB 48187891	48	18	78	91	
LBB 48204052	48	20	40	52	
LBB 48243032	48	24	30	32	
LBB 48244044	48	24	40	44	
LBB 48245056	48	24	50	56	
LBB 48248593	48	24	85	93	
LBB 48273740	48	27	36,8	39,5	
LBB 48286067	48	27,8	60	67	
LBB 48286073	48	27,8	60	73	
LBB 48283436	48	28	34	36	
LBB 48284852	48	28	48	52	
LBB 48285055	48	28	50	55	
LBB 49206063	49	20	60	63	
LBB 49284050	49	28	40	50	
LBB 50124550	50	12	45	50	
LBB 50145055	50	14	50	55	
LBB 50147381	50	14,2	73	81	

Lohmann - part no.	outer diameter	inner diameter	outer length	inner length	other measurements upon request
LBB 50146371	50	14,25	63	71	
LBB 50152024	50	14,5	20	24	
LBB 50165065	50	16	50	65	
LBB 50168095	50	16	80	95	
LBB 50176371	50	17	63	71	
LBB 50204046	50	20	40	46	
LBB 50244551	50	24	45	51	
LBB 50246370	50	24	63	70	
LBB 50246470	50	24	64	70	
LBB 50246571	50	24	65	71	
LBB 50247682	50	24	76	82	
LBB 502498102	50	24	98	101,5	
LBB 5024102115	50	24	102	115	
LBB 50247881	50	24,3	78	81	
LBB 502498101	50	24,3	98	101	
LBB 50253034	50	25	30	34	
LBB 50254045	50	25	40	45	
LBB 50254550	50	25	45	50	
LBB 50255056	50	25	50	56	
LBB 50256267	50	25	62	67	
LBB 50256567	50	25	65	67	
LBB 50256568	50	25	65	68	

Lohmann - part no.	outer diameter	inner diameter	outer length	inner length	other measurements upon request
LBB 50256668	50	25	65,5	67,5	
LBB 50257985	50	25	79	85	
LBB 50258085	50	25	80	85	
LBB 50286067	50	27,8	60	67	
LBB 50306066	50	30	60	66	
LBB 51164453	51	16	44	53	
LBB 52125664	52	12	56	64	
LBB 52145664	52	14	56	64	
LBB 52204052	52	20	40	52	
LBB 52208086	52	20	80	86	
LBB 52244052	52	24	40	52	
LBB 52257783	52	25	77	82,5	
LBB 52284044	52	28	40	44	
LBB 52284854	52	28	48	54	
LBB 52286066	52	28	60	66	
LBB 52326066	52	32	60	66	
LBB 52326466	52	32	64	66	
LBB 52326066	52,1	32	60	66	
LBB 54134045	54	12,8	40	44,5	
LBB 54162228	54	16	22	28	
LBB 54164858	54	16	48	58	
LBB 55163016	55	15,5	30	16	

Lohmann - part no.	outer diameter	inner diameter	outer length	inner length	other measurements upon request
LBB 55245565	55	24	55	65	
LBB 55253737	55	25	37	37	
LBB 55253744	55	25	37	44	
LBB 55255560	55	25	55	60	
LBB 552580100	55	25	80	100	
LBB 55258993	55	25	89	93	
LBB 55258994	55	25	89	94	
LBB 55259093	55	25	89,5	93,5	
LBB 45304545	55	30	45	45	
LBB 55309094	55	30	89,5	94	
LBB 55325860	55	32	58	60	
LBB 55326472	55	32	64	72	
LBB 5620105110	56	20	105	110	
LBB 56325055	56	32	50	55	
LBB 56355055	56	35	50	55	
LBB 57298689	57,15	28,57	85,73	88,9	
LBB 60152030	60	15	20	30	
LBB 60246570	60	24	65	70	
LBB 60284050	60	28	40	50	
LBB 60286580	60	28	65	80	
LBB 60287275	60	28	72	75	
LBB 60304555	60	30	45	55	

Lohmann - part no.	outer diameter	inner diameter	outer length	inner length	other measurements upon request
LBB 60305055	60	30	50	55	
LBB 60306068	60	30	60	68	
LBB 60308085	60	30	80	85	
LBB 60309094	60	30	89,5	94	
LBB 60326066	60	32	60	66	
LBB 60444058	60	44	40	58	
LBB 60267783	60,3	25,6	76,5	82,5	
LBB 61248086	61	24,3	80	86	
LBB 62125560	62	12	55	60	
LBB 62284045	62	28	40	45	
LBB 62366571	62	36	65	71	
LBB 62404042	62	40	40	42	
LBB 63206672	63	20	66	72	
LBB 63226572	63	22	65	72	
LBB 63259094	63	25	89,5	93,5	
LBB 6432127136	63,5	32	127	136	
LBB 64387076	64	38	70	76	
LBB 64388088	64	38	80	88	
LBB 64444652	64	44	46	52	
LBB 64387076X	64,1	38	70	76,2	
LBB 65254555	65	25	45	55	
LBB 65286570	65	28	65	70	

Lohmann - part no.	outer diameter	inner diameter	outer length	inner length	other measurements upon request
LBB 65306070	65	30	60	70	
LBB 65307070	65	30	70	70	
LBB 65367280	65	36	72	80	
LBB 65406868	65	40	68	68	
LBB 65408088	65	40	80	88	
LBB 66285568	66	28	55	68	
LBB 66285569	66	28	55	69	
LBB 66324755	66	32	47	55	
LBB 663290111	66	32	90	111	
LBB 66385560	66	38	55	60	
LBB 66386060	66	38	60	60	
LBB 66408696	66	40	86	96	
LBB 68254875	68	25	48	75	
LBB 70306075	70	30	60	75	
LBB 70307070	70	30	70	70	
LBB 70366065	70	36	60	65	
LBB 70368590	70	36	85	90	
LBB 70405565	70	40	55	65	
LBB 7040112115	70	40	112	115	
LBB 70506060	70	50	60	60	
LBB 7240125135	72	40	125	135	
LBB 72486570	72	48	65	70	

Lohmann - part no.	outer diameter	inner diameter	outer length	inner length	other measurements upon request
LBB 7528125135	75	28	125	135	
LBB 75405770	75	40	57	70	
LBB 75408088	75	40	80	88	
LBB 754590100	75	45	90	100	
LBB 76457880	76	45	78	80	
LBB 76457683	76,2	44,45	76,2	82,55	
LBB 78424545	78	42	45	45	
LBB 78426066	78	42	60	66	
LBB 78428086	78	42	80	86	
LBB 7842130140	78	42	130	140	
LBB 78506066	78	50	60	66	
LBB 78526565	78	52	65	65	
LBB 80355060	80	35	50	60	
LBB 80454045	80	45	40	45	
LBB 80454545	80	45	45	45	
LBB 80454550	80	45	45	50	
LBB 80503237	80	50	32	37	
LBB 80505765	80	50	57	65	
LBB 805095100	80	50	95	100	
LBB 8050100110	80	50	100	110	
LBB 82307380	82	30	73	80	
LBB 82329096	82	32	90	96	

Lohmann - part no.	outer diameter	inner diameter	outer length	inner length	other measurements upon request
LBB 82408288	82	40	82	88	
LBB 832590100	83	25	90	100	
LBB 853585100	85	35	85	100	
LBB 853685102	85	36	85	102	
LBB 855890142	85	58	90	142	
LBB 86287785	86	28	77	85	
LBB 90454550	90	44,5	45	50	
LBB 904590100	90	45	90	100	
LBB 905086100	90	50	86	100	
LBB 93487680	93	48	76	80	
LBB 93588595	93	58	85	95	
LBB 9550100110	95	50	100	110	
LBB 9550110120	95	50	110	120	
LBB 98738080	98	73	80	80	
LBB 100427075	100	42	70	75	
LBB 10050100110	100	50	100	110	
LBB 10050146159	100	50	146	159	
LBB 101458494	100,5	45	84	94	
LBB 102458086	101,6	44,45	80	86	
LBB 10540110126	105	40	110	126	
LBB 105604063	105	60	40	63	
LBB 11050120130	110	50	120	130	

Lohmann - part no.	outer diameter	inner diameter	outer length	inner length	other measurements upon request
LBB 110606065	110	60	60	65	
LBB 11060110120	110	60	110	120	
LBB 11060170182	110	60	170	182	
LBB 110658086	110	65	80	86	
LBB 110755157	110	75	51	57	
LBB 110806162	110	80	61	62	
LBB 11164102146	111	63,5	102	146	
LBB 11164101146	111	63,7	101	146	
LBB 11256128138	112	56	128	138	
LBB 120704040	120	70	40	40	
LBB 12070110115	120	70	110	115	
LBB 121884044	121	88	40	44	
LBB 12550138195	125	50	138	195	
LBB 12550180195	125	50	180	195	
LBB 12570110120	125	70	110	120	
LBB 12580102107	125	80	102	107	
LBB 12670111120	126	70	111	120	
LBB 13564101146	135	63,7	101	146	
LBB 13870280285	138	70	280	285	
LBB 14080100100	140	80	100	100	
LBB 14080110120	140	80	110	120	
LBB 14080170180	140	80	170	180	

Lohmann - part no.	outer diameter	inner diameter	outer length	inner length	other measurements upon request
LBB 140100100100	140	100	100	100	
LBB 140100110120	140	100	110	120	
LBB 145100110120	145	100	110	120	
LBB 15086180200	150	86	180	200	
LBB 158807882	158	80	78	82	
LBB 160100172180	160	100	172	180	
LBB 160110170180	160	110	170	180	
LBB 165100130140	165	100	130	140	
LBB 172135200210	172	135	200	210	
LBB 175110170180	175	110	170	180	
LBB 18080200204	180	80	200	204	
LBB 180124220230	180	124	220	230	
LBB 2001605555	200	160	55	55	
LBB 218135200235	218	135	200	235	
LBB 218136202235	218	136	201,6	235	
LBB 222160158158	222	160	158	158	
LBB 250160123125	250	160	122,5	125	

Lohmann GmbH

Bühlmattstrasse 7

6045 Meggen / Switzerland

Tel. +41 41 377 41 14

info@silentblock.ch | info@silentblock.de

www.silentblock.ch | www.silentblock.de

List of articles - Hollow buffers

Lohmann - part no.	outer diameter	inner diameter	height	Other measurements upon request
				metal parts
LHH 080303 / hardness	8,5	3,2	3,5	no metal parts
LHH 100210 / hardness	10	2,5	10	no metal parts
LHH 100408 / hardness	10	4,3	8	no metal parts
LHH 100506 / hardness	10	5	6	no metal parts
LHH 100625 / hardness	10	6,5	25	no metal parts
LHH 100401 / hardness	10,3	4,9	1,7	both sides metal parts
LHH 130612 / hardness	13	6,5	12	no metal parts
LHH 130625 / hardness	13	6,5	25	no metal parts
LHH 150325 / hardness	15	3	25	no metal parts
LHH 150625 / hardness	15	6	25	both sides metal parts
LHH 170916 / hardness	17,5	9	16	no metal parts
LHH 180625 / hardness	18	6,5	25	no metal parts
LHH 180905 / hardness	18	9	5	no metal parts
LHH 191240 / hardness	19	12	40	no metal parts

Lohmann - part no.	outer diameter	inner diameter	height	Other measurements upon request
				metal parts
LHH 191319 / hardness	19	13	19	no metal parts
LHH 200520 / hardness	20	5,5	20	no metal parts
LHH 200625B / hardness	20	6	25	both sides metal parts
LHH 200625K / hardness	20	6	25	no metal parts
LHH 200625X / hardness	20	6,5	25	no metal parts
LHH 200815 / hardness	20	8	15	no metal parts
LHH 200815X / hardness	20	8,5	15	no metal parts
LHH 200816 / hardness	20	8,5	16	no metal parts
LHH 200820K / hardness	20	8,5	20	no metal parts
LHH 200820B / hardness	20	8,5	20	both sides metal parts
LHH 200825 / hardness	20	8,5	25	no metal parts
LHH 200830 / hardness	20	8,5	30	no metal parts
LHH 200916 / hardness	20	9	16	no metal parts
LHH 200920 / hardness	20	9	20	no metal parts
LHH 201014 / hardness	20	10	14	no metal parts
LHH 201125 / hardness	20	11	25	no metal parts
LHH 201312 / hardness	20	13	12	no metal parts
LHH 211305 / hardness	21	13	5	both sides metal parts
LHH 211308 / hardness	21	13	8	both sides metal parts
LHH 220625 / hardness	22	6,5	25	no metal parts
LHH 221205 / hardness	22	12	5	no metal parts
LHH 250825 / hardness	25	8	25	no metal parts

Lohmann - part no.	outer diameter	inner diameter	height	Other measurements upon request
				metal parts
LHH 251015 / hardness	25	10,5	15	no metal parts
LHH 251018 / hardness	25	10,5	18	no metal parts
LHH 251025 / hardness	25	10,5	25	no metal parts
LHH 251040 / hardness	25	10,5	40	no metal parts
LHH 251140 / hardness	25	11	40	no metal parts
LHH 251215 / hardness	25	12	15	no metal parts
LHH 251225 / hardness	25	12,3	25	no metal parts
LHH 251411B / hardness	25	14	11	both sides metal parts
LHH 251411K / hardness	25	14	11	no metal parts
LHH 261810E / hardness	26	18	10	one side metal part
LHH 261810K / hardness	26	18	10	no metal parts
LHH 250816 / hardness	28	8	16	no metal parts
LHH 281028 / hardness	28	10	28	no metal parts
LHH 281050 / hardness	28	10,5	50	no metal parts
LHH 290604 / hardness	29	6	4	no metal parts
LHH 300820 / hardness	30	8	20	no metal parts
LHH 300830 / hardness	30	8,5	30	both sides metal parts
LHH 301013 / hardness	30	10	13	no metal parts
LHH 301020 / hardness	30	10	20	no metal parts
LHH 301030 / hardness	30	10	30	no metal parts
LHH 301115 / hardness	30	11	15	both sides metal parts
LHH 301230 / hardness	30	12	30	both sides metal parts

Lohmann - part no.	outer diameter	inner diameter	height	Other measurements upon request
				metal parts
LHH 301316 / hardness	30	13	16	one side metal part
LHH 301418 / hardness	30	14	18	no metal parts
LHH 301615K / hardness	30	16	15	no metal parts
LHH 301615B / hardness	30	16	15	both sides metal parts
LHH 301640 / hardness	30	16	40	no metal parts
LHH 302320 / hardness	30	23,5	20	no metal parts
LHH 321332 / hardness	32	13,5	32	no metal parts
LHH 321350 / hardness	32	13,5	50	no metal parts
LHH 321360 / hardness	32	13,5	60	no metal parts
LHH 321840 / hardness	32	18	40	no metal parts
LHH 350825 / hardness	35	8,5	25	no metal parts
LHH 351306 / hardness	35	13	6	no metal parts
LHH 351640 / hardness	35	16	40	no metal parts
LHH 351640X / hardness	35	16,5	40	no metal parts
LHH 351915B / hardness	35	19	15	both sides metal parts
LHH 351915K / hardness	35	19	15	no metal parts
LHH 352009 / hardness	35	20,5	9	both sides metal parts
LHH 352020 / hardness	35	20	20	no metal parts
LHH 361050 / hardness	36	10,5	50	no metal parts
LHH 3817100 / hardness	38	17	100	no metal parts
LHH 382229 / hardness	38	22	29	no metal parts
LHH 382548 / hardness	38	25	48	no metal parts

Lohmann - part no.	outer diameter	inner diameter	height	Other measurements upon request
				metal parts
LHH 400130 / hardness	40	0,9	30	no metal parts
LHH 400825 / hardness	40	8,5	25	no metal parts
LHH 401010 / hardness	40	10	10	one side metal part
LHH 401225 / hardness	40	12	25	no metal parts
LHH 401235 / hardness	40	12	35	no metal parts
LHH 401265 / hardness	40	12	65	no metal parts
LHH 401215K / hardness	40	12,5	15	no metal parts
LHH 401215B / hardness	40	12,5	15	both sides metal parts
LHH 401316B / hardness	40	13	16	both sides metal parts
LHH 401316E / hardness	40	13	16	one side metal part
LHH 401316K / hardness	40	13	16	no metal parts
LHH 401320K / hardness	40	13	20	no metal parts
LHH 401320B / hardness	40	13	20	both sides metal parts
LHH 401320E / hardness	40	13	20	one side metal part
LHH 401330K / hardness	40	13	30	no metal parts
LHH 401330B / hardness	40	13	30	both sides metal parts
LHH 401340K / hardness	40	13	40	no metal parts
LHH 401340B / hardness	40	13	40	both sides metal parts
LHH 401332 / hardness	40	13,5	32	no metal parts
LHH 401340X / hardness	40	13,5	40	no metal parts
LHH 401350 / hardness	40	13,5	50	no metal parts
LHH 401360 / hardness	40	13,5	60	no metal parts

Lohmann - part no.	outer diameter	inner diameter	height	Other measurements upon request
				metal parts
LHH 401540 / hardness	40	15,5	40	no metal parts
LHH 401503 / hardness	40	15	3	no metal parts
LHH 401730 / hardness	40	17	30	no metal parts
LHH 402120 / hardness	40	21	20	one side metal part
LHH 402215 / hardness	40	22	15	no metal parts
LHH 40241417 / hardness	40	24/14	17	no outer metal parts, but with aluminium core
LHH 402516 / hardness	40	25	16	no metal parts
LHH 402535 / hardness	40	25	35	no metal parts
LHH 402650 / hardness	40	26	50	no metal parts
LHH 411620 / hardness	41,5	16,3	20	no metal parts
LHH 452115 / hardness	45	21	15	one side metal part
LHH 452430 / hardness	45	24	30	no metal parts
LHH 450630 / hardness	45,5	6	30	no metal parts
LHH 452450 / hardness	45,8	24,5	50,5	no metal parts
LHH 472050 / hardness	47	20	50	no metal parts
LHH 4817100 / hardness	48	17	100	no metal parts
LHH 500940 / hardness	50	9	40	no metal parts
LHH 501040 / hardness	50	10	40	no metal parts
LHH 501045 / hardness	50	10	45	no metal parts
LHH 501125 / hardness	50	11	25	both sides metal parts
LHH 501225 / hardness	50	12	25	no metal parts
LHH 501325B / hardness	50	13	25	both sides metal parts

Lohmann - part no.	outer diameter	inner diameter	height	Other measurements upon request
				metal parts
LHH 501325K / hardness	50	13	25	no metal parts
LHH 501330 / hardness	50	13	30	no metal parts
LHH 501480 / hardness	50	14	80	no metal parts
LHH 501635 / hardness	50	16	35	no metal parts
LHH 501713 / hardness	50	17	13	both sides metal parts
LHH 501716 / hardness	50	17	16	one side metal part
LHH 501720 / hardness	50	17	20	both sides metal parts
LHH 501725 / hardness	50	17	25	no metal parts
LHH 501727 / hardness	50	17	27	no metal parts
LHH 501732 / hardness	50	17	32	no metal parts
LHH 501740K / hardness	50	17	40	no metal parts
LHH 501740B / hardness	50	17	40	both sides metal parts
LHH 501750K / hardness	50	17	50	no metal parts
LHH 501750B / hardness	50	17	50	both sides metal parts
LHH 501763 / hardness	50	17	63	no metal parts
LHH 501780 / hardness	50	17	80	no metal parts
LHH 502030 / hardness	50	20	30	no metal parts
LHH 502038 / hardness	50	20	38	no metal parts
LHH 502115 / hardness	50	21	15	both sides metal parts
LHH 502117 / hardness	50	21	17	one side metal part
LHH 502121 / hardness	50	21	21	one side metal part
LHH 502130B / hardness	50	21	30	both sides metal parts

Lohmann - part no.	outer diameter	inner diameter	height	Other measurements upon request
				metal parts
LHH 502130K / hardness	50	21	30	no metal parts
LHH 502180 / hardness	50	21	80	no metal parts
LHH 502450 / hardness	50	24	50	no metal parts
LHH 502450X / hardness	50	24,8	50	no metal parts
LHH 502525 / hardness	50	25	25	no metal parts
LHH 502536 / hardness	50	25	36	no metal parts
LHH 502615 / hardness	50	26	15	both sides metal parts
LHH 503030 / hardness	50	30	30	no metal parts
LHH 511727 / hardness	51	17	27	no metal parts
LHH 5332100 / hardness	53	32,5	100	no metal parts
LHH 543250 / hardness	54	32	50	no metal parts
LHH 5817100 / hardness	58	17	100	no metal parts
LHH 601030 / hardness	60	10,5	30	both sides metal parts
LHH 601715 / hardness	60	17	15	no metal parts
LHH 601750 / hardness	60	17	50	no metal parts
LHH 601830 / hardness	60	18	30	both sides metal parts
LHH 601845 / hardness	60	18	45	no metal parts
LHH 602040 / hardness	60	20	40	no metal parts
LHH 602060 / hardness	60	20	60	no metal parts
LHH 602130E / hardness	60	21,5	30	one side metal part
LHH 602130K / hardness	60	21,5	30	no metal parts
LHH 602130B / hardness	60	21,5	30	both sides metal parts

Lohmann - part no.	outer diameter	inner diameter	height	Other measurements upon request
				metal parts
LHH 602112 / hardness	60	21	12	one side metal part
LHH 602116 / hardness	60	21	16	one side metal part
LHH 602130 / hardness	60	21	30	both sides metal parts
LHH 602150K / hardness	60	21	50	no metal parts
LHH 602150B / hardness	60	21	50	both sides metal parts
LHH 602312 / hardness	60	23	12	no metal parts
LHH 602340 / hardness	60	23	40	both sides metal parts
LHH 602840 / hardness	60	28	40	no metal parts
LHH 603020 / hardness	60	30	20	no metal parts
LHH 603050 / hardness	60	30	50	no metal parts
LHH 603217 / hardness	60	32,5	17	both sides metal parts
LHH 603530K / hardness	60	35	30	no metal parts
LHH 603530E / hardness	60	35	30	one side metal part
LHH 603717 / hardness	60	37	17	both sides metal parts
LHH 621406 / hardness	62	14	6	one side metal part
LHH 631732 / hardness	63	17	32	no metal parts
LHH 632150 / hardness	63	21	50	no metal parts
LHH 635020 / hardness	63	50	20	no metal parts
LHH 693444 / hardness	69	34,5	44	no metal parts
LHH 702020 / hardness	70	20	20	no metal parts
LHH 703512 / hardness	70	35	12	one side metal part
LHH 704040 / hardness	70	40	40	no metal parts

Lohmann - part no.	outer diameter	inner diameter	height	Other measurements upon request
				metal parts
LHH 751840 / hardness	75	18	40	no metal parts
LHH 752220 / hardness	75	22	20	no metal parts
LHH 752555 / hardness	75	25	55	both sides metal parts
LHH 801550 / hardness	80	15	50	no metal parts
LHH 802027 / hardness	80	20	27	no metal parts
LHH 802040 / hardness	80	20	40	no metal parts
LHH 802130E / hardness	80	21	30	one side metal part
LHH 802130K / hardness	80	21	30	no metal parts
LHH 802130B / hardness	80	21	30	both sides metal parts
LHH 802140 / hardness	80	21	40	no metal parts
LHH 802150K / hardness	80	21	50	no metal parts
LHH 802150B / hardness	80	21	50	both sides metal parts
LHH 802180 / hardness	80	21	80	no metal parts
LHH 8021100 / hardness	80	21	100	no metal parts
LHH 802240 / hardness	80	22	40	no metal parts
LHH 802340 / hardness	80	23	40	both sides metal parts
LHH 802540K / hardness	80	25	40	no metal parts
LHH 802540B / hardness	80	25	40	both sides metal parts
LHH 802582 / hardness	80	25	82	no metal parts
LHH 802740 / hardness	80	27,5	40	no metal parts
LHH 803035 / hardness	80	30	35	no metal parts
LHH 803590 / hardness	80	35	90	no metal parts

Lohmann - part no.	outer diameter	inner diameter	height	Other measurements upon request
				metal parts
LHH 803845 / hardness	80	38	45	no metal parts
LHH 803859 / hardness	80	38	59	no metal parts
LHH 804030 / hardness	80	40	30	no metal parts
LHH 804050 / hardness	80	40	50	no metal parts
LHH 901930 / hardness	90	19	30	no metal parts
LHH 903035K / hardness	90	30	35	no metal parts
LHH 903035B / hardness	90	30	35	both sides metal parts
LHH 903045 / hardness	90	30	45	no metal parts
LHH 905435 / hardness	90	54	35	no metal parts
LHH 924340 / hardness	92	43	40	both sides metal parts
LHH 953590 / hardness	95	35	90	no metal parts
LHH 991750 / hardness	99	17	50	no metal parts
LHH 1001840 / hardness	100	18	40	both sides metal parts
LHH 1001850 / hardness	100	18	50	no metal parts
LHH 1002053 / hardness	100	20	53	no metal parts
LHH 1002110 / hardness	100	21	10	no metal parts
LHH 1002130 / hardness	100	21	30	one side metal part
LHH 1002140K / hardness	100	21	40	no metal parts
LHH 1002140E / hardness	100	21	40	one side metal part
LHH 1002140B / hardness	100	21	40	both sides metal parts
LHH 1002160K / hardness	100	21	60	no metal parts
LHH 1002160B / hardness	100	21	60	both sides metal parts

Lohmann - part no.	outer diameter	inner diameter	height	Other measurements upon request
				metal parts
LHH 1002425 / hardness	100	24	25	ohne äussere Stahlteile, jedoch mit Gewindeinsatz für M24
LHH 1002540 / hardness	100	25	40	one side metal part
LHH 1002540K / hardness	100	25	40	no metal parts
LHH 1002570K / hardness	100	25	70	no metal parts
LHH 1002570B / hardness	100	25	70	both sides metal parts
LHH 1002640 / hardness	100	26	40	no metal parts
LHH 1003035 / hardness	100	30	35	no metal parts
LHH 1003050 / hardness	100	30	50	no metal parts
LHH 10030100 / hardness	100	30	100	no metal parts
LHH 1003140B / hardness	100	31	40	both sides metal parts
LHH 1003140E / hardness	100	31	40	one side metal part
LHH 1003145 / hardness	100	31	45	both sides metal parts
LHH 1003150 / hardness	100	31	50	both sides metal parts
LHH 1003260K / hardness	100	32	60	no metal parts
LHH 1003260E / hardness	100	32	60	one side metal part
LHH 1003280 / hardness	100	32	80	no metal parts
LHH 1003340 / hardness	100	33	40	no metal parts
LHH 1003375B / hardness	100	33	75	both sides metal parts
LHH 1003375K / hardness	100	33	75	no metal parts
LHH 1004070 / hardness	100	40	70	no metal parts
LHH 1004255 / hardness	100	42	55	both sides metal parts
LHH 1005025 / hardness	100	50	25	no metal parts

Lohmann - part no.	outer diameter	inner diameter	height	Other measurements upon request
				metal parts
LHH 10050100 / hardness	100	50	100	no metal parts
LHH 1005619 / hardness	100	56	19	one side metal part
LHH 1006030 / hardness	100	60	30	one side metal part
LHH 1007040 / hardness	100	70	40	no metal parts
LHH 10216115 / hardness	102	16	115	no metal parts
LHH 1083590 / hardness	108	35	90	no metal parts
LHH 1157670 / hardness	115	76,5	70	no metal parts
LHH 1201760 / hardness	120	17	60	no metal parts
LHH 1202130 / hardness	120	21	30	one side metal part
LHH 1202540K / hardness	120	25	40	no metal parts
LHH 1202540E / hardness	120	25	40	one side metal part
LHH 1202570 / hardness	120	25	70	no metal parts
LHH 12035120 / hardness	120	35	120	no metal parts
LHH 1204040 / hardness	120	40	40	no metal parts
LHH 1204060 / hardness	120	40	60	no metal parts
LHH 1204140 / hardness	120	41	40	both sides metal parts
LHH 1205040 / hardness	120	50	40	no metal parts
LHH 1205140 / hardness	120	51	40	both sides metal parts
LHH 1206122 / hardness	120	61	22	no metal parts
LHH 1206130 / hardness	120	61	30	no metal parts
LHH 1252780 / hardness	125	27	80	no metal parts
LHH 12527100 / hardness	125	27	100	no metal parts

Lohmann - part no.	outer diameter	inner diameter	height	Other measurements upon request
				metal parts
LHH 12528125 / hardness	125	28	125	no metal parts
LHH 12535125 / hardness	125	35	125	no metal parts
LHH 12541100K / hardness	125	41	100	no metal parts
LHH 12541100B / hardness	125	41	100	both sides metal parts
LHH 12550125 / hardness	125	50	125	no metal parts
LHH 12570100 / hardness	125	70	100	no metal parts
LHH 1282006 / hardness	128	20	6	both sides metal parts
LHH 14030120 / hardness	140	30	120	no metal parts
LHH 14040120 / hardness	140	40	120	no metal parts
LHH 14040150 / hardness	140	40	150	no metal parts
LHH 14050140 / hardness	140	50	140	no metal parts
LHH 14060120 / hardness	140	60	120	no metal parts
LHH 1501755 / hardness	150	17	55	both sides metal parts
LHH 1503240 / hardness	150	32	40	one side metal part
LHH 1504075 / hardness	150	40	75	both sides metal parts
LHH 1504580 / hardness	150	45	80	no metal parts
LHH 15045180 / hardness	150	45	180	no metal parts
LHH 15050100 / hardness	150	50	100	both sides metal parts
LHH 15050120 / hardness	150	50	120	no metal parts
LHH 15050150 / hardness	150	50	150	no metal parts
LHH 15051100K / hardness	150	51	100	no metal parts
LHH 15051100B / hardness	150	51	100	both sides metal parts

Lohmann - part no.	outer diameter	inner diameter	height	Other measurements upon request
				metal parts
LHH 15070165 / hardness	150	70	165	no metal parts
LHH 16033160 / hardness	160	33	160	no metal parts
LHH 16034160 / hardness	160	34	160	no metal parts
LHH 1603535 / hardness	160	35	35	no metal parts
LHH 16075180 / hardness	160	75	180	no metal parts
LHH 16516122 / hardness	165	161	22	both sides metal parts
LHH 17040170 / hardness	170	40	170	no metal parts
LHH 17070110 / hardness	170	70	110	no metal parts
LHH 18035170 / hardness	180	35	170	no metal parts
LHH 18060170 / hardness	180	60	170	no metal parts
LHH 18060220 / hardness	180	60	220	no metal parts
LHH 20032100 / hardness	200	32	100	both sides metal parts
LHH 20033200 / hardness	200	33	200	no metal parts
LHH 20040130 / hardness	200	40	130	no metal parts
LHH 20040160 / hardness	200	40	160	no metal parts
LHH 20045170 / hardness	200	45	170	no metal parts
LHH 20045200 / hardness	200	45	200	no metal parts
LHH 20047115 / hardness	200	47	115	no metal parts
LHH 20048190 / hardness	200	48	190	no metal parts
LHH 20061100K / hardness	200	61	100	no metal parts
LHH 20061100B / hardness	200	61	100	both sides metal parts
LHH 2006628 / hardness	200	66	28	one side metal part

Lohmann - part no.	outer diameter	inner diameter	height	Other measurements upon request
				metal parts
LHH 20070125 / hardness	200	70	125	no metal parts
LHH 20070175 / hardness	200	70	175	no metal parts
LHH 20070180 / hardness	200	70	180	no metal parts
LHH 2009060 / hardness	200	90	60	both sides metal parts
LHH 21510045 / hardness	215	100	45	both sides metal parts
LHH 22015550 / hardness	220	155	50	both sides metal parts
LHH 23016050 / hardness	230	160	50	both sides metal parts
LHH 24070220 / hardness	240	70	220	no metal parts
LHH 25052130 / hardness	250	52	130	no metal parts
LHH 25052250 / hardness	250	52	250	no metal parts
LHH 25060200 / hardness	250	60	200	no metal parts
LHH 28050300 / hardness	280	50	300	no metal parts
LHH 28090340 / hardness	280	90	340	no metal parts
LHH 30052300 / hardness	300	52	300	no metal parts
LHH 33052330 / hardness	330	52	330	no metal parts
LHH 35062170 / hardness	350	62	170	no metal parts
LHH 35065335 / hardness	350	65	335	no metal parts

Lohmann GmbH

Bühlmattstrasse 7

6045 Meggen / Switzerland

Tel. +41 41 377 41 14

info@silentblock.ch | info@silentblock.de

www.silentblock.ch | www.silentblock.de

List of articles - Rubber buffers

Lohmann - part no.	diameter	height	other measurements upon request
LVZ 012011 / hardness	12	11,5	
LVZ 015015 / hardness	15	15	
LVZ 015020 / hardness	15	20	
LVZ 015025 / hardness	15	25	
LVZ 020015 / hardness	20	15	
LVZ 020020 / hardness	20	20	
LVZ 020025 / hardness	20	25	
LVZ 020030 / hardness	20	30	
LVZ 025025 / hardness	25	25	
LVZ 025035 / hardness	25	35	
LVZ 025040 / hardness	25	40	
LVZ 030045 / hardness	30	45	
LVZ 040030 / hardness	40	30	
LVZ 050015 / hardness	50	15	

Lohmann - part no.	diameter	height	other measurements upon request
LVZ 050050 / hardness	50	50	
LVZ 055035 / hardness	55	35	
LVZ 060035 / hardness	60	35	
LVZ 060050 / hardness	60	50	
LVZ 075035 / hardness	75	35	
LVZ 060080 / hardness	100	35	
LVZ 100100 / hardness	100	100	
LVZ 125100 / hardness	125	100	
LVZ130020 / hardness	130	20	
LVZ 130040 / hardness	130	40	
LVZ 200050 / hardness	200	50	
LVZ 200060 / hardness	200	60	
LVZ 035020Q square / hardness	35x35	20	
LVZ 080040Q square / hardness	80x80	40	

List of articles - Door buffers

Lohmann GmbH

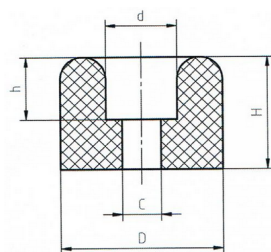
Bühlmattstrasse 7

6045 Meggen / Switzerland

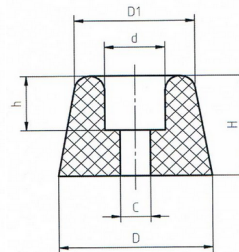
Tel. +41 41 377 41 14

info@silentblock.ch | info@silentblock.de

www.silentblock.ch | www.silentblock.de



Type A



Type B



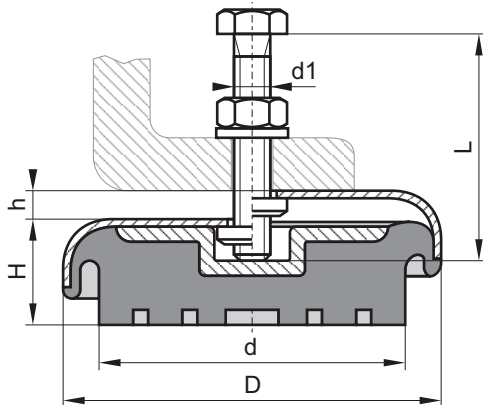
Lohmann - part no.	diameter D / D1 (Type B)	diameter d	diameter C	height H	height h	x = available		other measurements upon request
						Type A	Type B	
LTP 016007 / hardness	16	9	4	7	3,5	x		
LTP 018016 / hardness	18	9,5	4,5	16	7	x		
LTP 020007 / hardness	20	12	4	7,5	4,5	x		
LTP 020010 / hardness	20 / 16	8	5	10	6		x	
LTP 020013 / hardness	20	10	4	13	6	x		
LTP 020022 / hardness	20	8	4	22	6	x		
LTP 021010 / hardness	21 / 18	10	4	10	4,5		x	
LTP 024013 / hardness	24	9	4	13	4	x		
LTP 025010 / hardness	25 / 20	7	4,5	10	6		x	
LTP 025012 / hardness	25 / 22	9	4,5	12	7		x	
LTP 026012 / hardness	26 / 24,5	9	4	12	4		x	
LTP 026014 / hardness	26	12	4	14	6	x		
LTP 026015 / hardness	26 / 22	12	4	15	9,5		x	
LTP 026029 / hardness	26	10	5	29	4	x		

Lohmann - part no.	diameter D / D1 (Type B)	diameter d	diameter C	height H	height h	x = available		other measurements upon request
						Type A	Type B	
LTP 028025 / hardness	28	14	6	25	15	x		
LTP 030017 / hardness	30	13	6	17	7	x		
LTP 030018 / hardness	30	12	7	18	5	x		
LTP 030022 / hardness	30	11	7	22	5	x		
LTP 030026 / hardness	30	12	7	26	5	x		
LTP 030032 / hardness	30	13	6	32	20	x		
LTP 030034 / hardness	30	12	7	34	50	x		
LTP 040025 / hardness	40	18	6	25	15	x		
LTP 040025X / hardness	40	20	7	25	8	x		
LTP 040031 / hardness	40	18	6	31	21	x		
LTP 040035 / hardness	40	20	7	35	8	x		
LTP 040040 / hardness	40	20	7	40	7	x		
LTP 040046 / hardness	40	16	6	46	32	x		
LTP 040050 / hardness	40	20	7	50	7	x		

MASCHINEN-FÜßE

MF - NH

Maschinenfuß
nivellierbar, Typ H



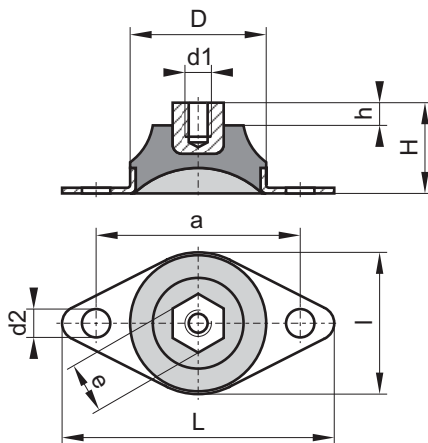
Gummiwerkstoff: NR, NBR, Härte 60° oder 70° Shore A
Metallteile: Stahl verzinkt
Sonderwerkstoffe auf Anfrage

Bestell-Nr.	Nenngröße		Abmessungen				Belastung ¹⁾ F N
	D mm	H mm	d mm	d1 mm	L ⁴⁾ mm	h mm	
080x028	80	28	60	M10	80	8	1.500
090x035	90	35	66	M12	100	10	4.000
120x035	120	35	95	M12	100	12	6.000
150x040	150	40	130	M16 ²⁾	120	12	10.000
200x045	200	45	160	M20 ³⁾	150	15	30.000

- 1) Belastungswerte für Härte von 60° Shore A
2) M12 möglich 3) Feingewinde - M20x1,5
4) Mit und ohne Schraube lieferbar / Standard ist ohne Schraube

MF - H1

Hutelement Typ H1



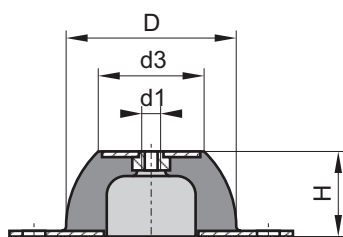
Gummiwerkstoff: NR, NBR, Härte 40°, 55° oder 70° Shore A
Metallteile: Stahl verzinkt
Sonderwerkstoffe auf Anfrage

Bestell-Nr.	Nenngröße		Abmessungen							Belastung ¹⁾ F N
	D mm	H mm	a mm	L mm	l mm	d1 mm	d2 mm	h mm	e mm	
030x020	30	20	45	60	35	M6	6	5	SW11	200
045x032	45	32	70	90	50	M10	9	8	SW17	360
070x050	70	50	105	140	80	M16	13	10	SW24	1.250

- 1) Belastungswerte für Härte von 55° Shore A

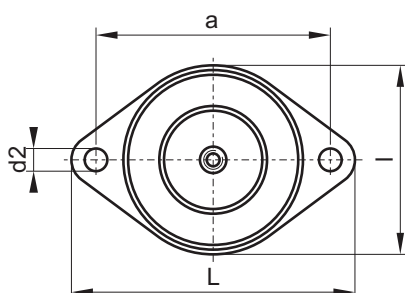
MF - H2

Hutelement Typ H2

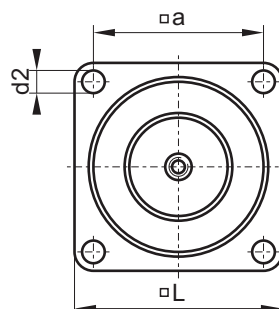


Bestell-Nr.	Nenngröße		Abmessungen						Belastung F	
	D mm	H mm	a mm	L mm	l mm	d1 mm	d2 mm	d3 mm	40° Shr. N	60° Shr. N
035x020	35	20	50	64	43	M6	7	18	34	90
040x020	40	18	52	65	40	M6	6,2	20	60	120
050x025	50	25	66	85	56	M8	8	33	200	490
070x035	70	35	92	114	76	M10	10	45	390	780
085x040	85	40	110	136	96	M10	11,5	53	680	1.450
090x045	90	45	124	151	101	M10	11,5	58	1.280	2.150
130x063	130	63	120	150	-	M12	14,5	78	2.700	4.900
180x085	180	85	160	200	-	M16	14,5	100	3.700	7.350
240x160	240	160	250	310	-	M24	18	186	13.700	24.500

Durchmesser 35-90 mm



Durchmesser 130-240 mm



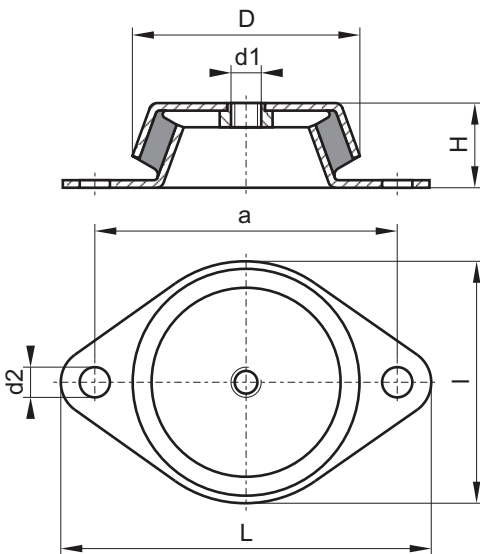
Gummiwerkstoff: NR, Härte 40°, 60° Shore A
Metallteile: Stahl verzinkt
Sonderwerkstoffe auf Anfrage

Bestellbeispiel: MF-H1-030x020-NR55 Hutelement Typ 1, D = 30mm, H = 20mm, Innengewinde M6, Naturkautschuk 55° Shore A

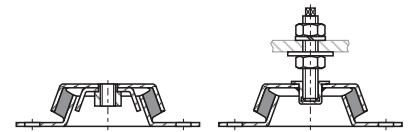
MASCHINEN-FÜßE

MF - H3

Maschinenfuß Typ H3



Abreißsicherung Höhenverstellung



Gummiwerkstoff: NR 40, 55, 70° Shore A
Metallteile: Stahl verzinkt oder schwarz lackiert

Andere Werkstoffe und Größen auf Anfrage

Ausführung mit Abreißsicherung oder mit Höhenverstellung auf Anfrage lieferbar

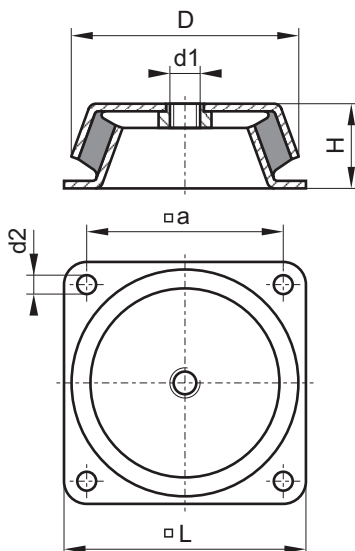
Bestell-Nr.	Nenngröße		Abmessungen					Belastung ¹⁾ F N
	D mm	H mm	d1 mm	d2 mm	a mm	L mm	I mm	
048x023	48	23	M8	6,2	68	83	53	800
062x030	62	30	M10	8,2	85	110	66	1.500
078x030	78	30	M10	9,0	110	128	78	1.800
092x045	92	45	M12	10,2	110	140	96	3.000
106x039	106	39	M12 ²⁾	12,4	140	170	110	3.600
160x060	160	60	M16	16,2	200	234	163	8.000

1) Belastungswerte für Härte von 55° Shore A

2) M16 möglich; Höhenverstellung mit Gewindespindel M16x1,5x65

MF - H4

Maschinenfuß Typ H4



Abreißsicherung Höhenverstellung



Gummiwerkstoff: NR 40, 55, 70° Shore A
Metallteile: Stahl verzinkt oder schwarz lackiert

Andere Werkstoffe und Größen auf Anfrage

Ausführung mit Abreißsicherung oder mit Höhenverstellung auf Anfrage lieferbar

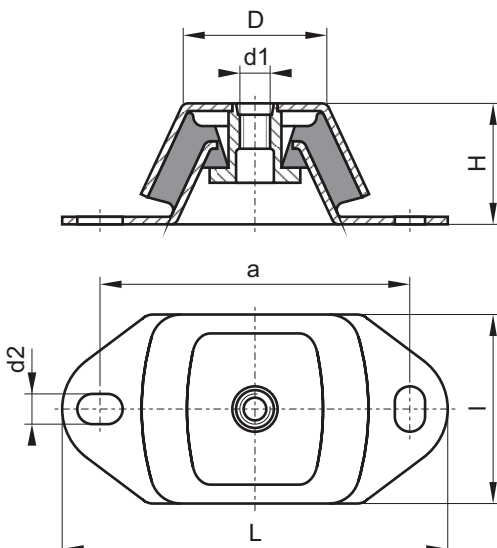
Bestell-Nr.	Nenngröße		Abmessungen				Belastung ¹⁾ F N
	D mm	H mm	d1 mm	d2 mm	a mm	L mm	
150x051	150	51	M16 ²⁾	12,5	132x132	168x168	8.000
177x063	177	63	M20 ²⁾	13,0	150x150	184x184	14.000

1) Belastungswerte für Härte von 55° Shore A

2) Höhenverstellung mit Gewindespindel M20x2x80

MF - H5

Maschinenfuß Typ H5



Gummiwerkstoff: NR 40, 55, 70° Shore A
Metallteile: Stahl verzinkt oder

Andere Werkstoffe und Größen auf Anfrage

Bestell-Nr.	Nenngröße		Abmessungen					Belastung ¹⁾ F N
	D mm	H mm	d1 mm	d2 mm	a mm	L mm	I mm	
060x040	60	40	M12 ²⁾	11	100	120	61	400
075x050	75	50	M16	13	140	183	75	1.500
085x075	85	75	M20	18	180	230	113	4.800

1) Belastungswerte für Härte von 55° Shore A

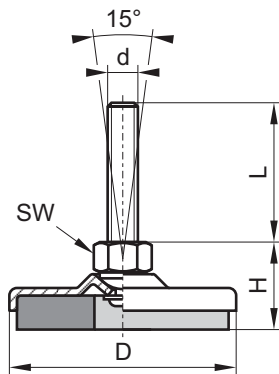
2) M10 möglich

Bestellbeispiel: MF-H3-106x039-M12-NR55 Maschinenfuß Typ H3 mit D=106mm, H=39mm, Gewinde M12, Naturkautschuk 55°Shore A

MASCHINEN-FÜßE

MF - GS

Gelenkfuß, Stahl verchromt



Bestell-Nr.	Nenngröße		Abmessungen			Belastung F N
	D mm	H mm	d ¹⁾	L ²⁾ mm	SW	
050x030	50	30	M10	100	17	2.500
050x033		33	M12		19	
080x034	80	34	M12	100	19	8.000
080x040		40	M16		24	
100x034	100	34	M12	100	19	20.000
100x040		40	M16		24	
125x048	125	48	M20	150	30	25.000

1) andere Varianten auf Anfrage

2) Sonderlängen auf Anfrage

Metallteile:

Stahl chromatiert, (Edelstahl "rostfrei")

Dämpfungsplatte:

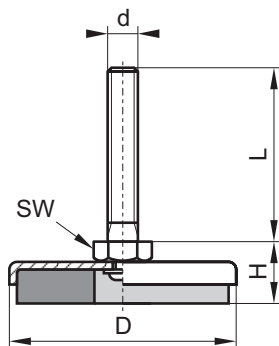
Gummi - NBR 70° Shore A, ölbeständig

Auf Anfrage:

Teller aus Kunststoff (PA6 schwarz) möglich

MF - SS

Stellfuß, Stahl verzinkt



Bestell-Nr.	Nenngröße		Abmessungen				Belastung F N
	D mm	H mm	h mm	d	L ¹⁾ mm	SW	
035x018	35	18	12	M6/M8	50	10/12	630
056x022	56	22	14	M8/M10	50/100	12/17	2.400
078x023	78	23	15	M10/M12	100	17/19	4.000
090x025	90	25	16	M12/M16	100	19/24	6.300
105x025	105	25	16	M12/M16	100	19/24	8.000
136x027	136	27	19	M16/M20	150	24/30	12.500

1) Sonderlängen auf Anfrage

Metallteile:

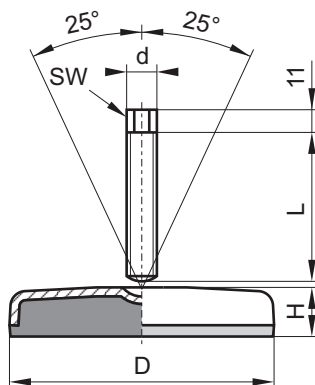
Stahl verzinkt, (Edelstahl "rostfrei" möglich)

Dämpfungsplatte:

Gummi - NBR 70° Shore A, ölbeständig

MF - GT

Gelenkfuß - Schraube und Teller getrennt



Bestell-Nr.	Nenngröße		Abmessungen			Belastung F N
	D mm	H mm	d	L ¹⁾ mm	SW	
050x014	50	14	M10	100	8	2.500
080x014	80	14	M12	100 150	10	4.000
100x018	100	18	M20	100 150	24	10.000
120x023	120	23	M24	70 100 150	27	20.000

1) Sonderlängen auf Anfrage

Metallteile:

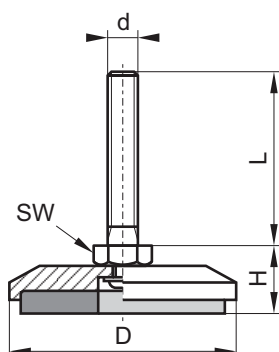
Stahl verzinkt, (Edelstahl "rostfrei" möglich)

Dämpfungsplatte:

Gummi - NBR 70° Shore A, ölbeständig

MF - SG

Stellfuß, Grauguß



Bestell-Nr.	Nenngröße		Abmessungen				Belastung F N
	D mm	H mm	h mm	d	L ¹⁾ mm	SW	
068x041	68	41	24	M10/M12	80/100	17/19	3.500
088x046	88	46	26	M12/M16	100/120	19/24	4.500
110x045	110	45	26	M16/M20	150	24/30	10.000
140x050	140	50	28	M20/M24	150/200	30	15.000
180x050	180	50	28	M24/M30	200	30/36	20.000

1) Sonderlängen auf Anfrage

Metallteile:

Teller Grauguß (GG), Schraube Stahl verzinkt

Dämpfungsplatte:

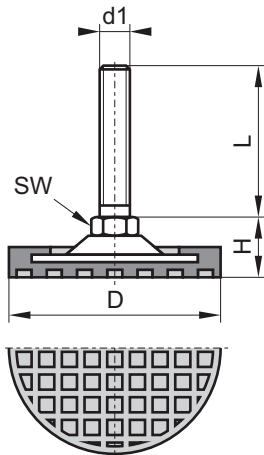
Gummi - NBR 70° Shore A, ölbeständig

Bestellbeispiel: MF-SS-090x025-M12x100-NBR70 Stellfuß, Stahl verzinkt. D = 90mm, H = 25mm, mit Bolzen M12x100, NBR 70° Shore A

MASCHINEN-FÜßE

MF - SP

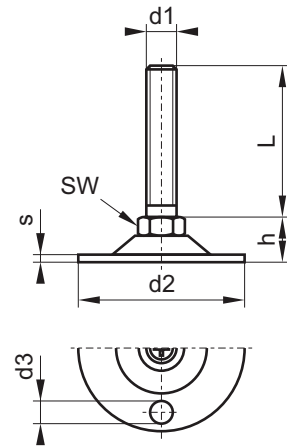
Stellfuß mit profiliertem Gummischuh



Ansicht von unten

MF - SO

Stellfuß ohne Gummischuh



Bestell-Nr.	Nenngröße		Abmessungen							Belastung F N
	D mm	H mm	d1	L mm	SW	d2 mm	d3 mm	h mm	s mm	
044x016	44	16	M8 ¹⁾	50	13	40	-	12	1,5	1.000
060x018	60	18	M10	75	13	50	6,5	14	2	2.500
090x020	90	20	M12	75	17	80	8,5	16	3	5.000

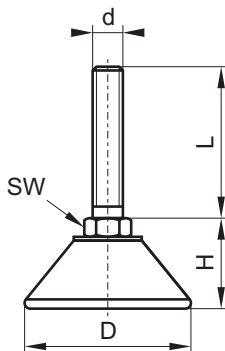
1) M10x120 möglich

Metallteile: Stahl verzinkt
Gummischuh: NBR 70° Shore A
ölbeständig, grau

Weitere Größen und Abmessungen auf Anfrage

MF - SK

Stellfuß mit Kunststoffschuh



Bestell-Nr.	Nenngröße		d	Abmessungen			Belastung F N	
	D mm	H mm		L ¹⁾ mm	SW			
030x022	30	22	M10	35	50	70	13	400
036x015	36	15	M8	30	50	60	13	500
036x017	36	17	M10	35	50	70	13	500
040x017	40	17	M10	35	50	70	13	600
044x022	44	22	M10	35	50	70	13	800

1) Sonderlängen auf Anfrage

Weitere Größen, auch mit Kugelgelenk auf Anfrage

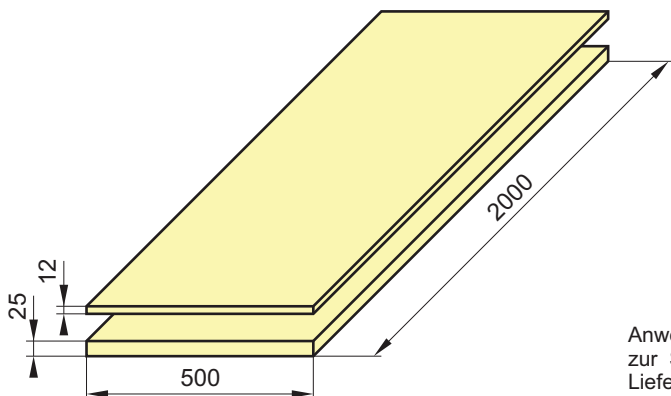
Metallteile: Schraube Stahl verzinkt
Fuß: Kunststoff (PA6), schwarz

Bestellbeispiel: MF-SP-060x018-M10x75-NBR70 Stellfuß mit Gummischuh, D = 60mm, H = 18mm, mit Bolzen M10x75, NBR 70°Shore A

DÄMPFUNGS-PLATTEN

PU - DP

Dämpfungsplatten aus Zellpolyurethan



Dichte [kg/m³]	Farbe	statische Dauerlast [N/mm²]	Dynamischer Lastbereich [N/mm²]	Lastspitzen [N/mm²]
150	gelb	0,010	0 - 0,015	0,50
220	blau	0,025	0 - 0,035	1,00
300	grün	0,040	0 - 0,080	2,00
400	braun	0,075	0 - 0,150	3,00
510	rot	0,150	0 - 0,300	4,00
680	grau	0,300	0 - 0,500	5,00

zusätzliche tech. Daten und Kennlinien auf Anfrage

Werkstoff: zelliges Polyurethan

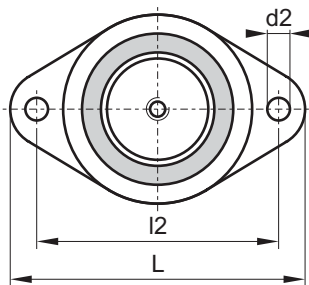
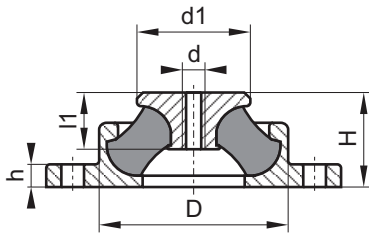
Anwendung zur Körperschallentkopplung im Maschinen- und Anlagenbau sowie zur Schwingungsisolierung im Hochbau.
Lieferung als Plattenware, Zuschnitte und Formteile möglich.

Bestellbeispiel: PU-DP-500x012x2000-D220 Dämpfungsplatte, 12 mm dick, Zellpolyurethan mit Dichte = 220 kg/m³, Farbe = blau

SCHWINGUNGSDÄMPFER

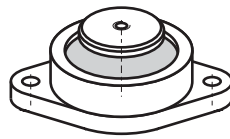
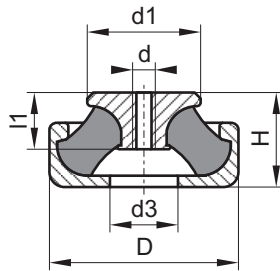
SD - F

Schwingungsdämpfer mit Flansch (Typ F)



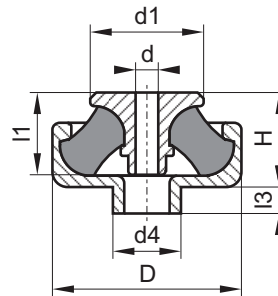
SD - B

Schwingungsdämpfer mit Bohrung (Typ B)



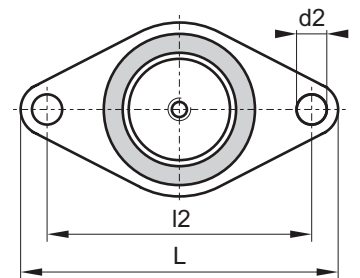
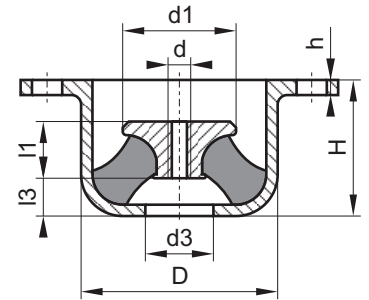
SD - Z

Schwingungsdämpfer mit Zentralführung (Typ Z)



SD - D

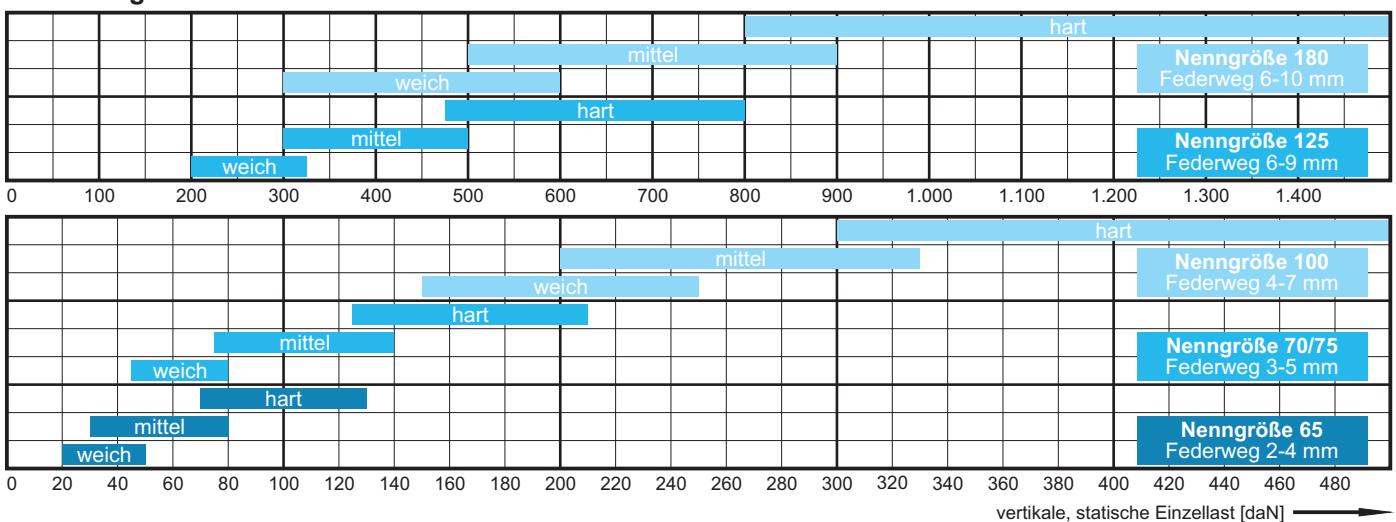
Schwingungsdämpfer Deckenelement (Typ D)



Gummiwerkstoff: SBR
 Härte in Shore A: 48° (weich), 60° (mittel), 77° (hart)
 Metallteile: Aluminiumguss
 Sonderwerkstoffe auf Anfrage

Typ	Nenngröße			Abmessungen									
	Bestell-Nr.	D mm	H mm	d mm	l1 mm	d1 mm	L mm	l2 mm	h ^{±1} mm	d2 mm	d3 ^{+0,5} mm	d4 ^{-0,5} mm	l3 mm
F / B / Z	065x033	65	33 ^{±1,5}	M8/M10 ø10,5/ø12,5	23 31,5	40	110	90	8	9,5	31	30	2/4/10
D	070x046	70	46	M8/M10 ø10,5/ø12,5	27	40	110	90	6	9,5	24	-	13,5
F	075x041	75	40,5 ^{±1,5}	M10/M12 ø12,5	28 37,5	40	120	95	9	9,5	-	-	-
B / Z	075x044	75	43,5 ^{±1,5}	M10/M12 ø12,5	28 37,5	40	-	-	-	-	31	29	2/4/10
F / B / Z	100x050	100	49,5 ^{±1,5}	M12/M16 ø12,5/ø17,0	33 43,5	60	160	130	12	12,5	31	30	2/4/10
F / B / Z	125x062	125	62 ^{±2,0}	M12/M16 ø12,5/ø17,0	42 58	70	200	160	10	12,5	34	34	2/4/10
F	180x082	180	82 ^{±2,5}	M16/M20/M24 ø25,0	58 82	110	240	210	15	12,5	-	-	-
B	180x092	180	92 ^{±2,5}	M16/M20/M24 ø25,0	58 82	110	-	-	-	-	100	-	-

Belastung



Bestellbeispiel: SD-F-065x033-M8k-SBR48 Schwingungsdämpfer, mit Flansch, Nenngröße 65, kurzes Druckstück mit M8, Gummi weich